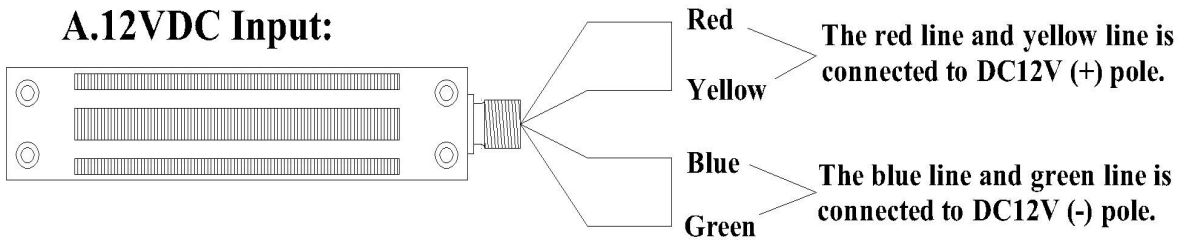


# CP500W User Manual

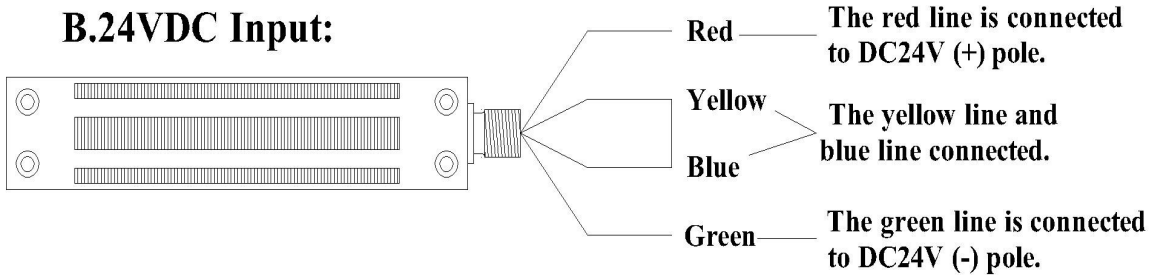


Operating Voltage:	DC12V	DC24V
Operating Current:	500mA	250mA

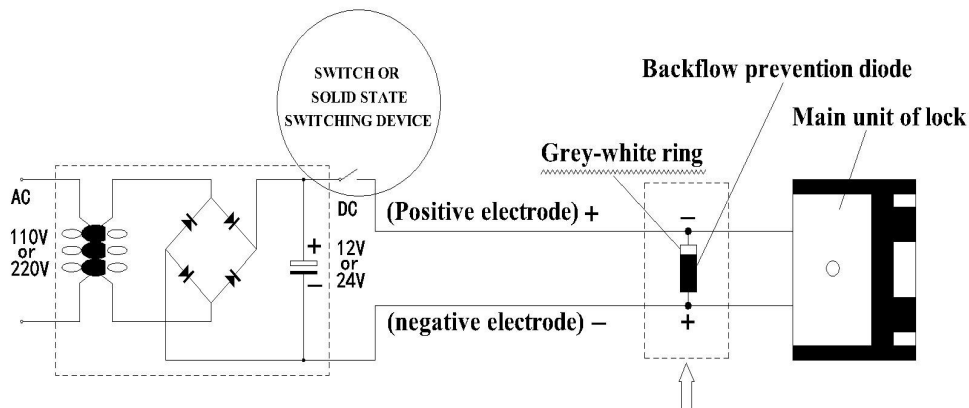
## A.12VDC Input:



## B.24VDC Input:



## C. Connection method of backflow prevention diode:

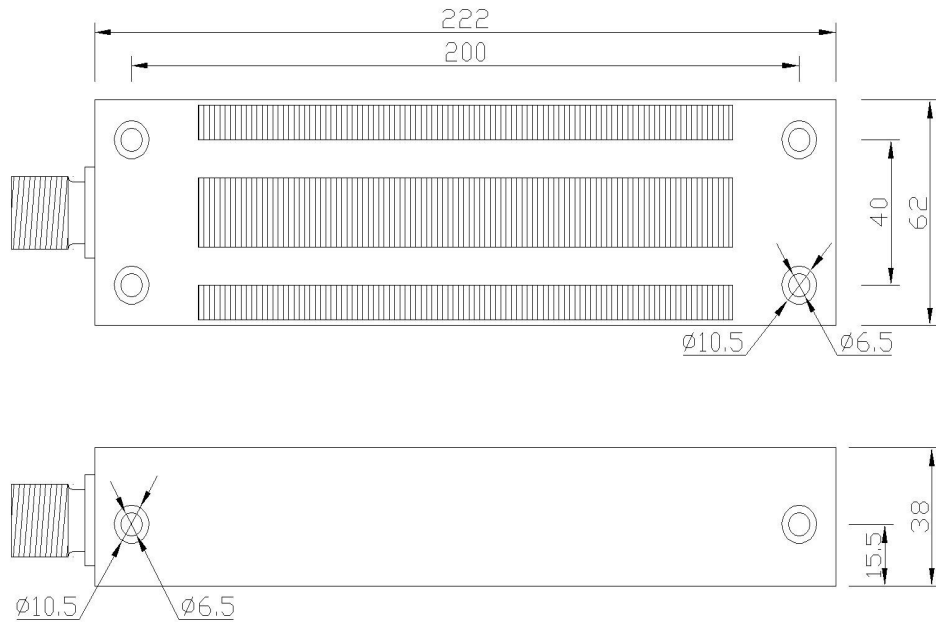


### Connection method of backflow prevention diode:

- A. Connect the negative electrode of diode with the positive electrode of lock body.
- B. Connect the positive electrode of diode with the negative electrode of lock body.



### Magnetic lock dimension drawing



### Adsorption board size chart

