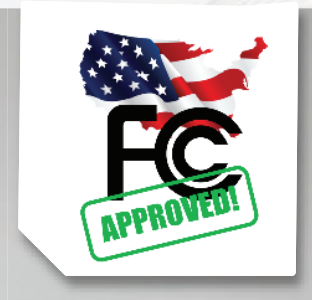


D.E.C.T 603

Digital Enhanced Cordless
Telecommunications

Simple Wireless Access!



Handsfree wall/desk
mount option



Cordless
handset
option



Transmitter



High quality
speech panel
options

- 2 relay outputs, control 2 entrances with 1 handset.
- Up to 4 handsets / indoor units per system.
- Built in voicemail feature to record missed callers at your door or gate (playback from handset).
- Intercall between handsets.
- 2 year warranty.
- Demo kits for testing available.
- Contact us for details on a free site survey.

D.E.C.T 603

Digital Enhanced Cordless Telecommunications



Technical Details

Outdoor Unit		Indoor Unit	
Relays	2	Power Supply	Charging Base = 5v dc. Wall Unit = 12v dc.
Construction	Marine Stainless & Powder Coated Aluminium	Volume Adjust	Yes
Keypad Relays	3	Voicemail Capacity	16
Power Supply	24v DC (included)	Calling Between Handsets	Yes
Current Consumption	65mA Standby, 400mA Calling		

D.E.C.T 603

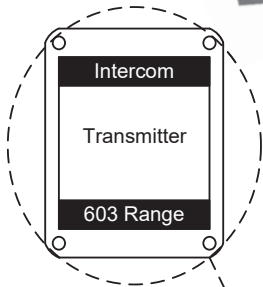
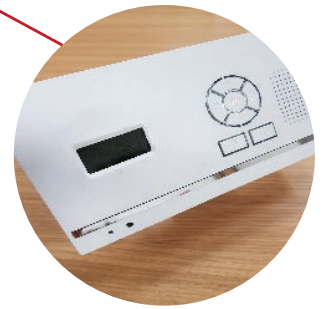
Digital Enhanced Cordless
Telecommunications



Digital



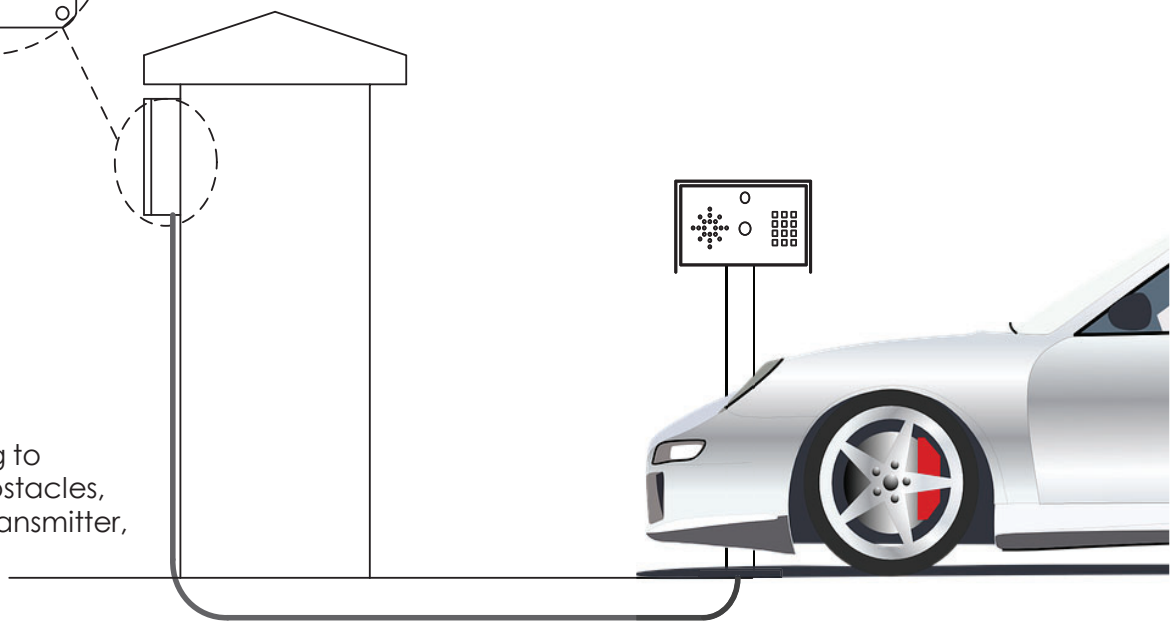
Up to 200m
expected working
range*



Perimeter wall/fence



*Range varies according to
building construction, obstacles,
shrubs, trees, height of transmitter,
etc.





603-IMP

Sleek, all black call point, constructed from marine grade stainless steel, powder coated aluminium hood and gloss black toughened acrylic faceplate trim. Also available with wall mount monitor *603-HF-IMP / 603-HF-IMPK



603-IMPK



603-IMP-PED

Pedestal mountable, high volume call point, constructed from marine grade stainless steel, powder coated aluminium hood and gloss black toughened acrylic faceplate trim. Also available with wall mount monitor *603-HF-IMP-PED / 603-HF-IMPK-PED



603-IMPK-PED



603-AB

Stylish, modern curved profile call point with wall backlighting effect in neon blue. Constructed from 100% marine grade stainless steel and toughened acrylic face trim. Also available with wall mount monitor *603-HF-AB / 603-HF-ABK1



603-ABK



603-AS

100% BS316 marine grade stainless steel, in modern curved profile with wall back lighting effect in cool white. Also available with wall mount monitor *603-HF-AS / 603-HF-ASK



603-ASK

D.E.C.T 603 PROX



603-PX-IMP

Pedestal mountable, high volume call point. Non keypad. Built in Proximity reader.



603-PX-IMPK-PED

Pedestal mountable, high volume call point, with keypad. Built in Proximity reader.



603-PX-ABK

Stylish, modern curved profile call point with keypad and proximity reader.



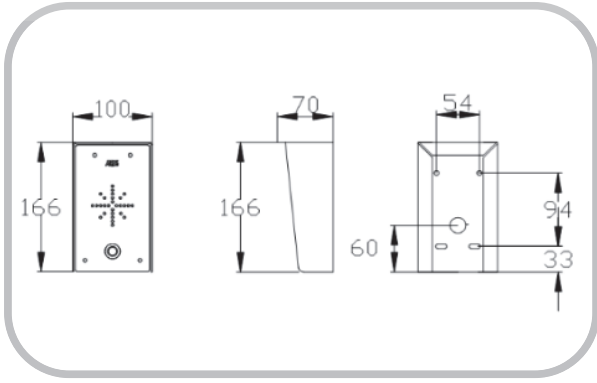
603-PX-ASK

Stylish, modern curved profile call point with keypad and proximity reader.

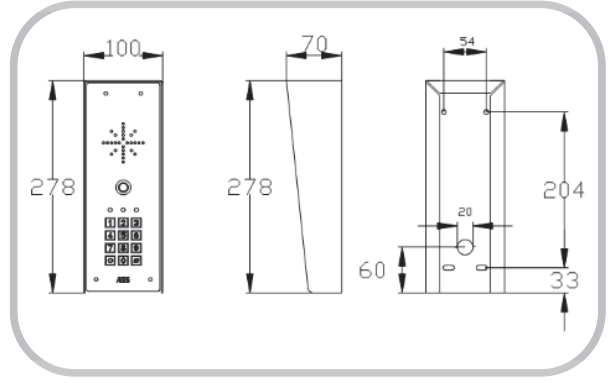


603-PX-IMPK

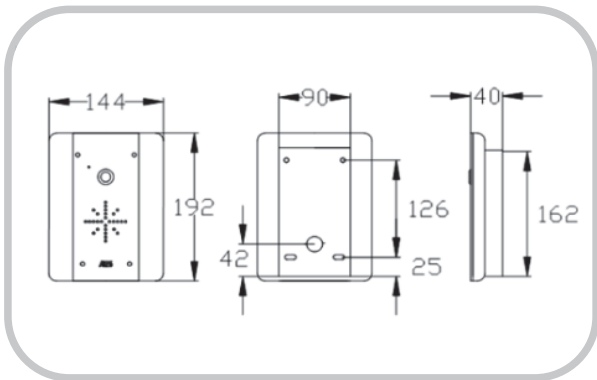
Sleek, all black call point with keypad and built in proximity reader.



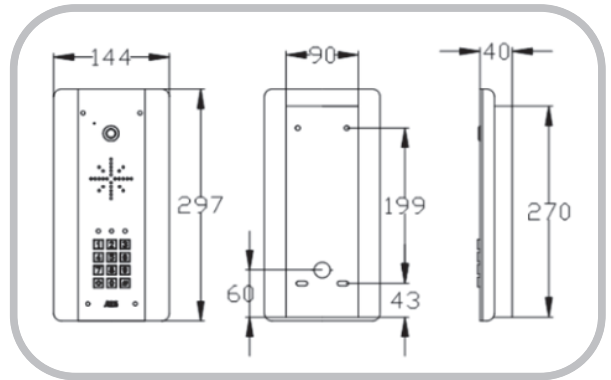
603-IMP CALL PANEL



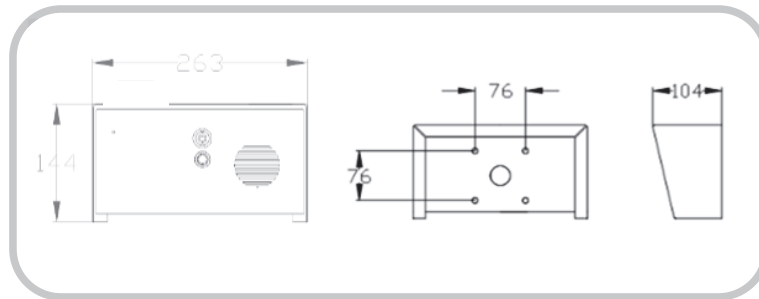
603-IMPK CALL PANEL



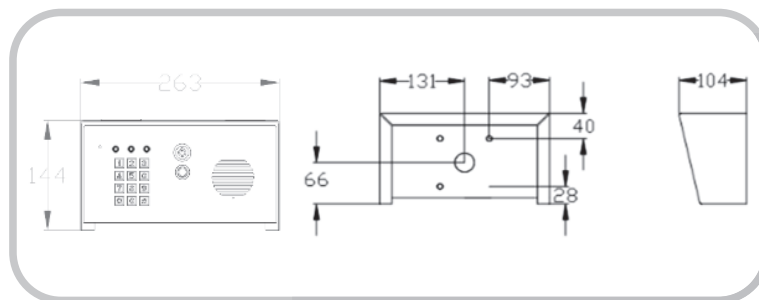
603-AB/AS CALL PANEL



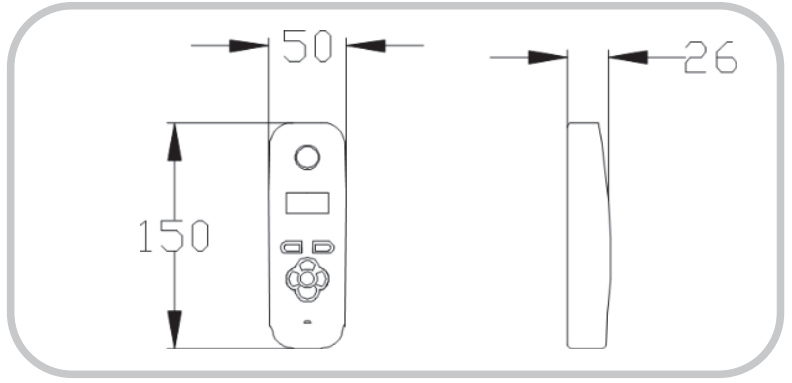
603-ABK/ASK CALL PANEL



603-IMP-PED CALL PANEL

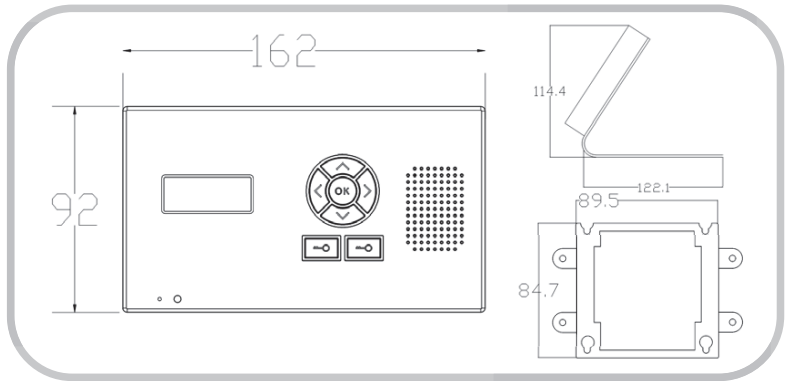


603-IMPK-PED CALL PANEL



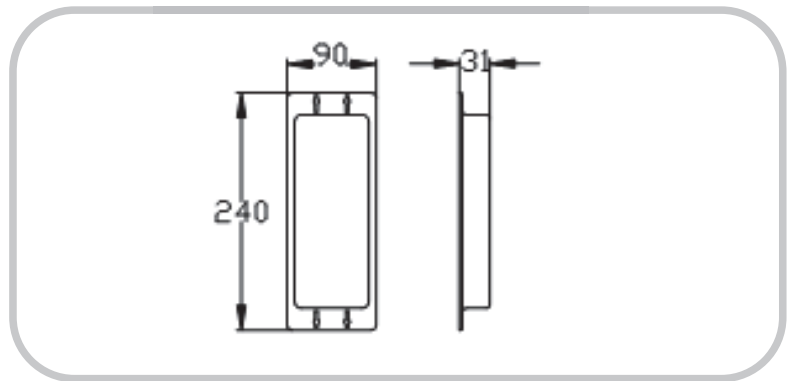
603-EH

Additional handsets (up to total of 4 max per intercom, which can be a mix and match of both styles.)



603-HF-EH

Additional handsets (up to total of 4 max per intercom, which can be a mix and match of both styles.) Can be wall or desk mounted.

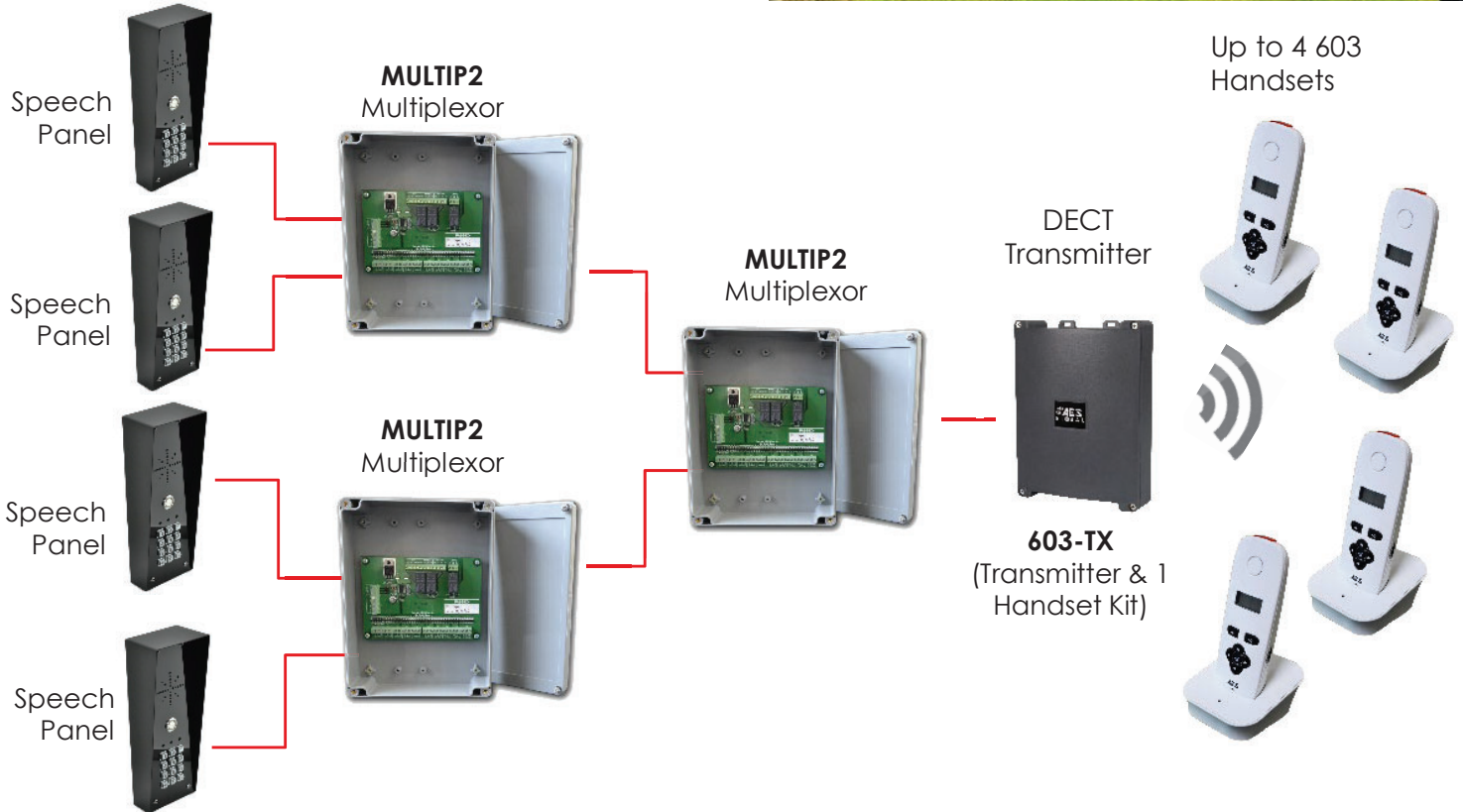


603-WIFIA

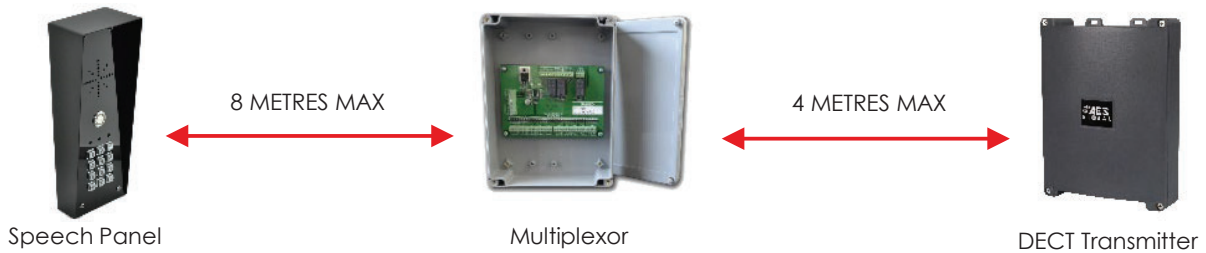
Range boosting antenna which can be added to transmitter at gate and also optionally to the handsfree monitor type. One antenna can boost range by 30%. Comes with 2 metre antenna cable (RG174 with SMA male connector).

Multi-call Station System

Connect 2-4 call panels to 1 DECT transmitter



Maximum distances



Call Panel Options

