

# D.E.C.T 705

## Wireless Video Intercom



Handsfree wall/desk  
mount option



Cordless  
handset  
option



Antenna



High quality  
speech panel  
options

- Wireless video intercom system for gates.
- Longest range Rf video intercom in the world, working range 200 metres (450m open field).
- Unique technology combining 2.4GHz digital & DECT 1.88GHz digital signals.
- Colour camera with infrared night vision capability.
- Long range antenna as standard.
- Gate / Door release relay built in.
- Optional keypad for access control.

# D.E.C.T 705

## Wireless Video Intercom



### Technical Details

<b>Power Supply</b>	24v dc (adaptor included)	<b>Handset Battery</b>	Lithium Ion mobile phone battery
<b>Current Consumption</b>	50mA standby, 1Amp calling	<b>Night Vision</b>	Yes, by infrared illumination
<b>Relay Outputs</b>	1	<b>Battery Life</b>	24 hours between charges
<b>Relay Type</b>	N/O & N/C contacts	<b>Charging Voltage</b>	5v adaptor included
<b>Relay Time</b>	Fixed 4 seconds	<b>Keypad Option</b>	Yes
<b>Relay Load</b>	2A 24v AC max	<b>Keypad Relays</b>	3
<b>IP Rating</b>	IP55	<b>Keypad Codes</b>	1200*
<b>Camera</b>	Colour, 80 degree viewing angle		

This is a total count of memory locations across 3 separate relays\*



**705-HF-AB**

Stylish curved architectural model. Modern blue back lighting effect. BS316 marine grade, brushed stainless steel construction with gloss acrylic trim. Kit includes speech panel, antenna, power supply, desktop/wall mounted monitor OR Portable Handset and install manual.



**705-AB**



**705-HF-ABK**

Stylish curved architectural model. Modern blue back lighting effect. BS316 marine grade, brushed stainless steel construction with gloss acrylic trim. Kit includes speech panel, antenna, power supply, desktop/wall mounted monitor OR Portable Handset and install manual.



**705-ABK**



**705-HF-IMP**

Sleek, all black call point. BS316 marine grade, powder coated aluminium hood and black toughened acrylic faceplate trim. Kit includes speech panel, antenna, power supply, desktop/wall mounted monitor OR Portable Handset and install manual.



**705-IMPK**

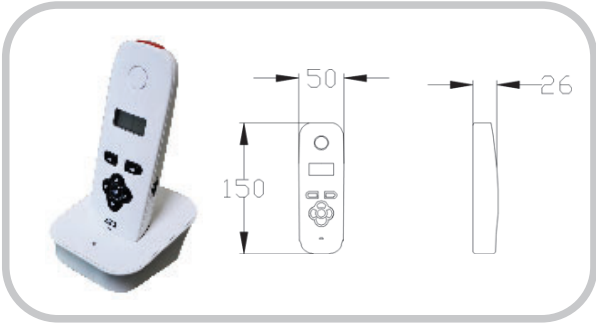


**705-HF-IMPK**

Sleek, all black call point with keypad. BS316 marine grade, powder coated aluminium hood and black toughened acrylic faceplate trim. Kit includes speech panel, antenna, power supply, desktop/wall mounted monitor OR Portable Handset and install manual.

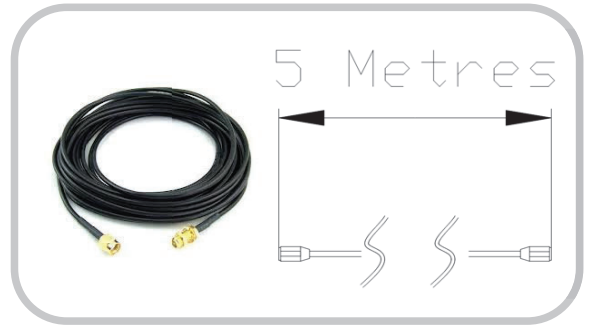


**705-IMPK**



**705-EH (Extra Handset)**

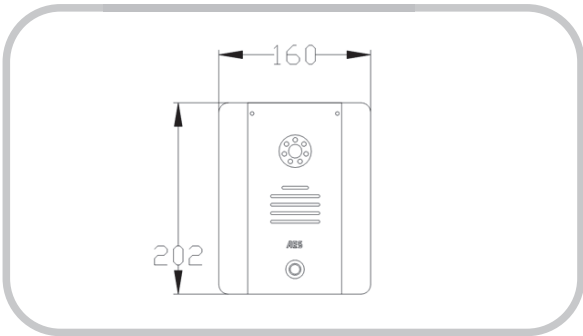
Add up to 3 additional audio handsets to any 705 video kit as additional slave handsets. (Note: this is same handset used for 603 kits).



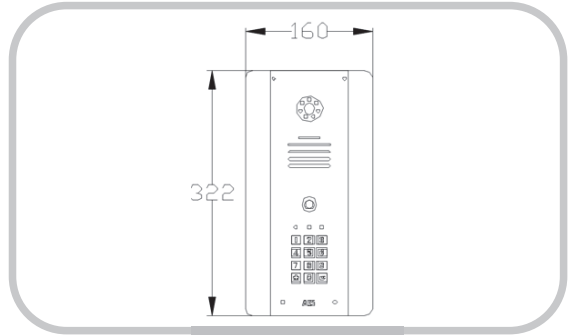
**705-AC5 (Antenna Cable)**

Antenna extension cable kit. Complete with SMA male – female couplings. 2x5 metres long to extend antenna height or location to achieve better results.

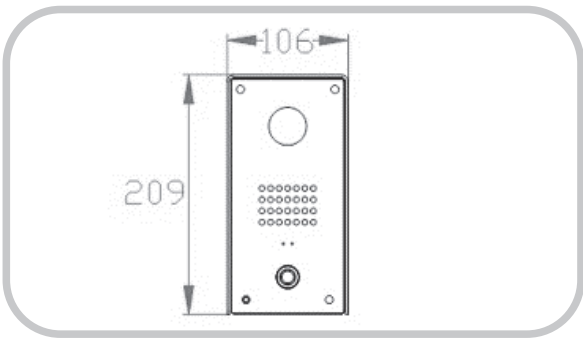
Call Panel Dimensions



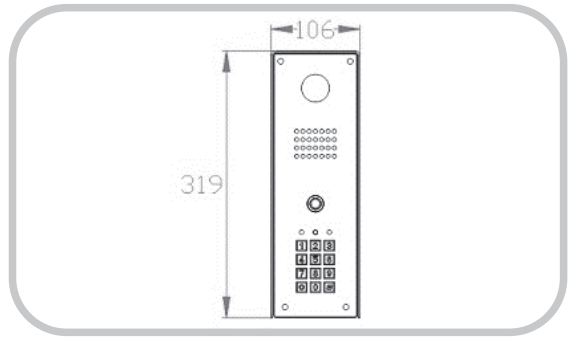
**AB Panel**



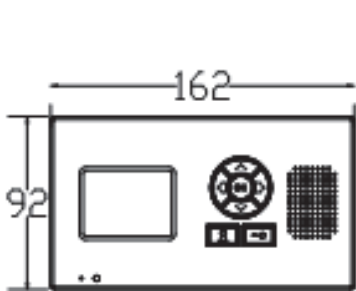
**ABK Panel**



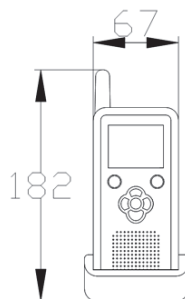
**IMP Panel**



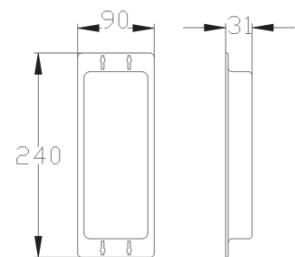
**IMPK Panel**



705 Wall Monitor



705 Portable Handset



Antenna