



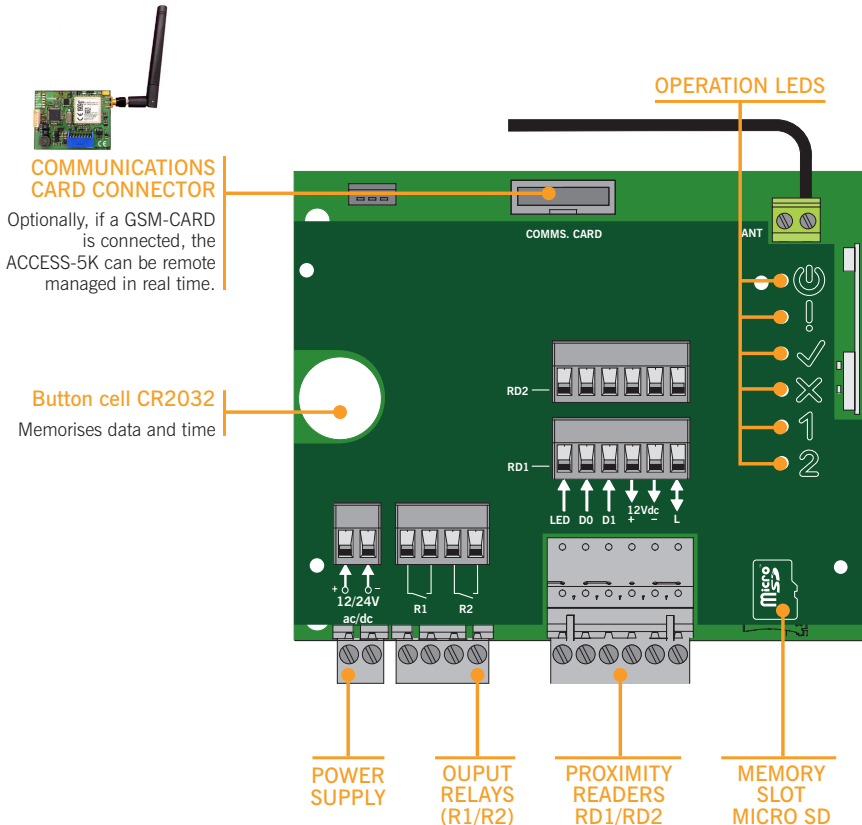
Contents	
Introduction	3
General description	3
Installation	4
Fixing	4
Wiring	5
Power supply + relays	5
Proximity readers	6
Configuration	7
Verification	8
LED Indicators	8
Maintenance	9
Firmware update	9
Cell battery replacement for time/date loss	9
Technical Data	10
Electrical parameters	10
Physical parameters	10
Radiofrequency parameters	10
Solving problems	11
FAQs	11
Safety instructions	13
Use of the system	13
EC Declaration of conformity	13

Introduction

General description

The **ACCESS-5K** is an autonomous access control unit with **time scheduling** for small installations up to 2 doors.

User management is only via Soft Assistant, it is **secured against transmitter copies**.



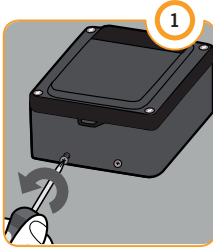
It completes the ACCESS family with advanced features:

- 5000 users and events
- Scheduling for groups and relays
- 12/24 Vac/dc power supply
- 2 independent Bus L / Wiegand26 inputs
- Improved events management
- Firmware update

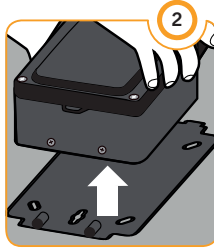


Fixing

Installation with support



UNSCREW



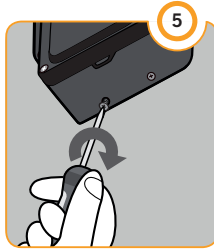
REMOVE SUPPORT



DRILL

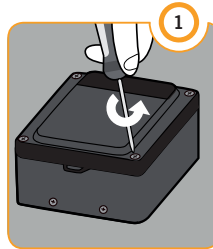


HANG DEVICE

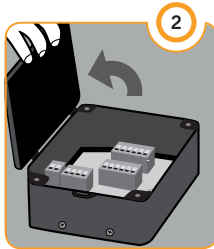


SCREW

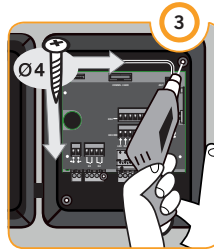
Installation without support



UNSCREW



OPEN TOP COVER



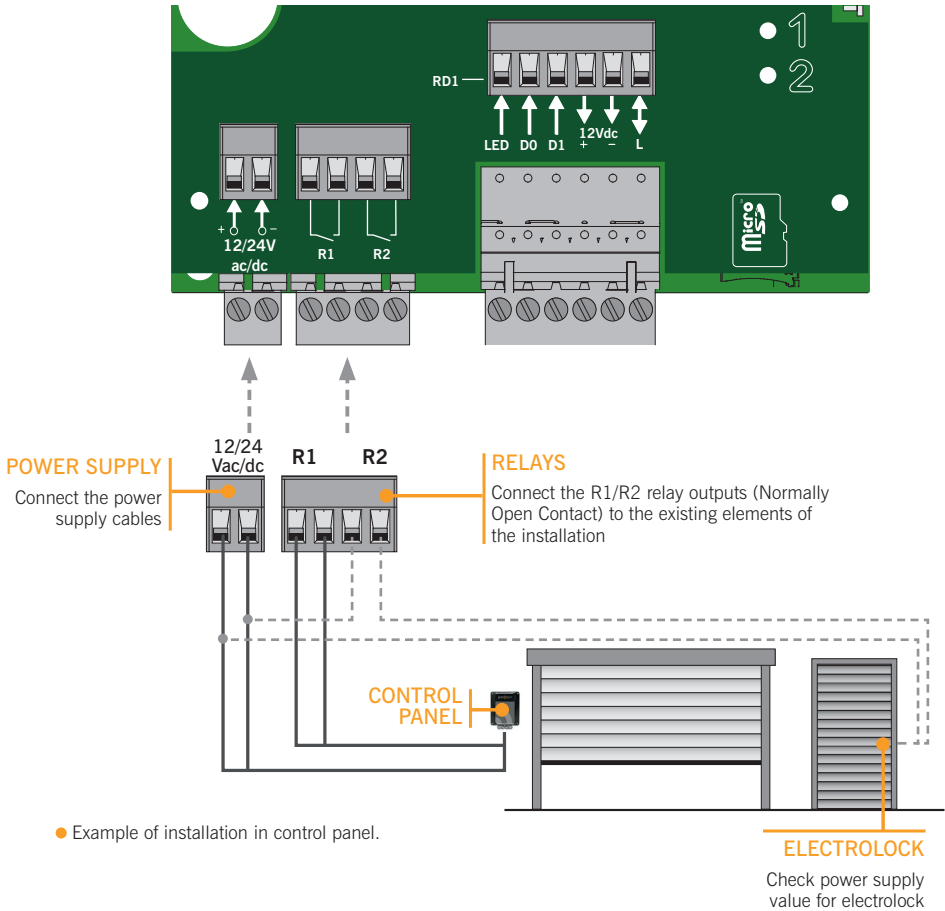
DRILL



Installation

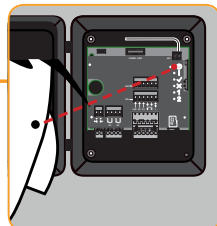
Wiring

Power supply and relays



- Example of installation in control panel.

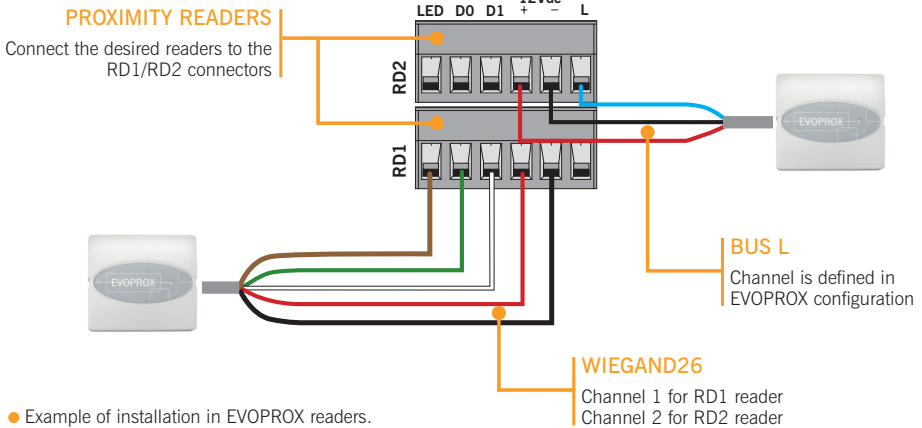
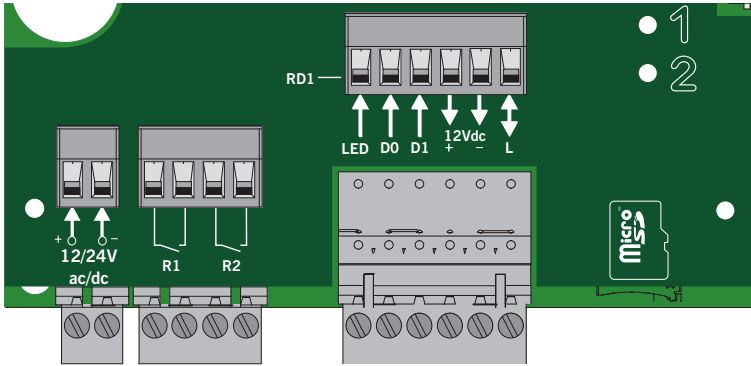
POWER
Check the power supply led is lighted when power is turned on





Wiring

Proximity readers

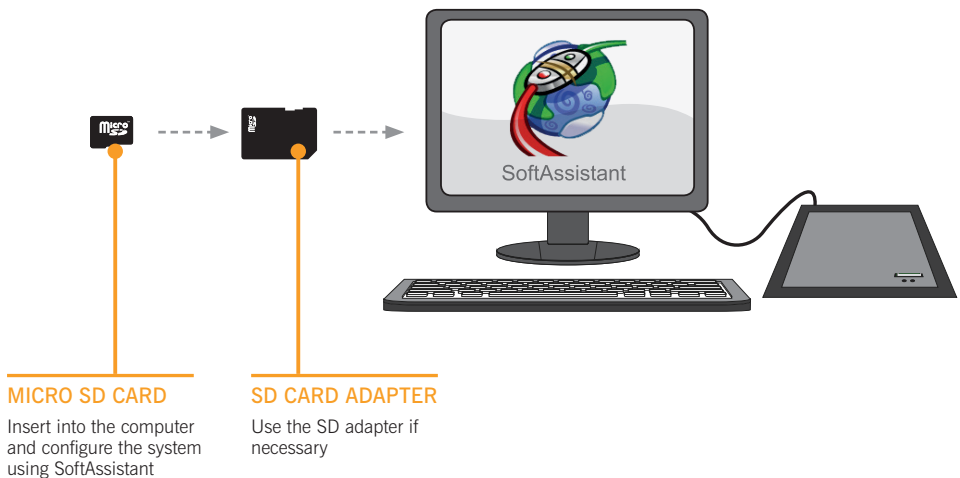


See the EVOPROX user manual for protocol and channel configuration.



This device can be only configured by the software SoftAssistant.

Check its user manual and the ACCESS-5K specific annex for details of creating an installation, adding devices, creating user groups etc...



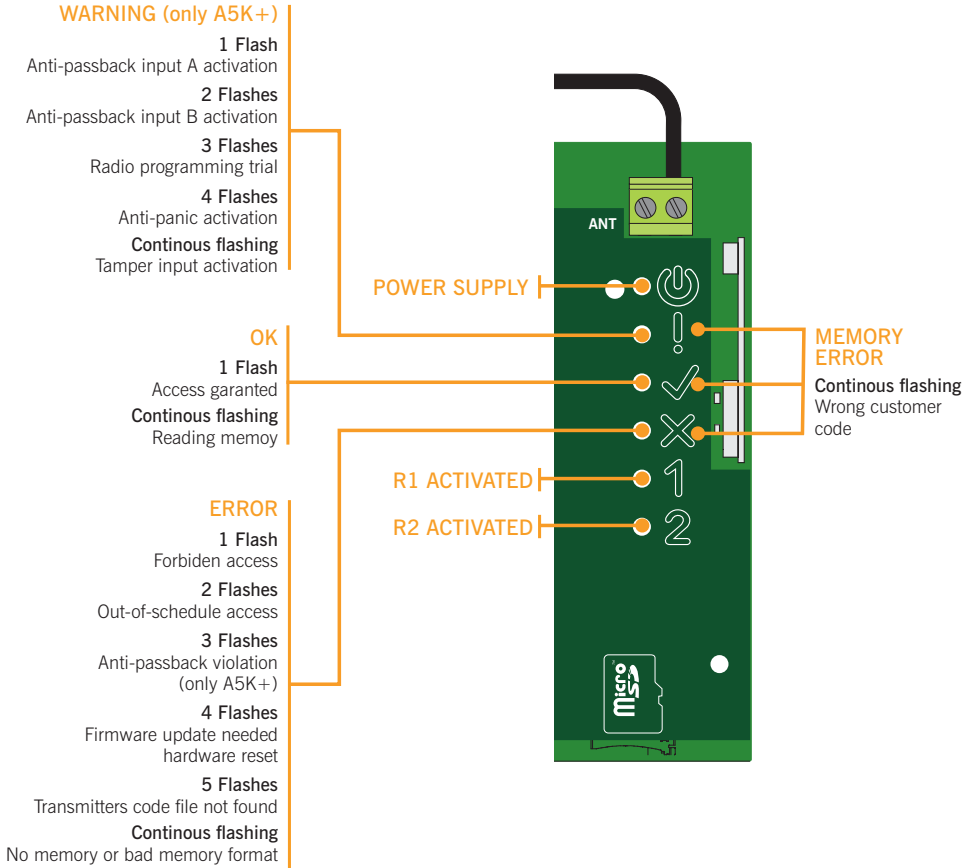
Keep the plastic cover of micro SD memory in a safe place as it contains the label with the data for remote management.



For more information, visit:
www.jcm-tech.com/en/MAESTRO-PROGMAN-ASSISTANT/



LED Indicators






Firmware update

Steps to update the firmware in the ACCESS-5K:

- Insert the SD memory in your computer.
- COPY FILE ACCESS5K_AABBCCDD_bin.a5k (AABBCCDD = version) to the uSD memory.
- RENAME FILE copied in the SD to bin.a5k.
- Extract the SD memory from the computer.
- Power off your ACCESS-5K.
- Insert the SD memory in your ACCESS-5K.
- Power on your ACCESS-5K.
- If the OK led flashes fast, slowly and then fast once again. Then:
 - The update has finished properly.
 - The bin.a5k file has been deleted from SD memory.
- If the ERROR led keeps flashing slowly, an error has occurred:
 - Check the file in the SD memory.
 - Delete the firmware file manually in order to allow the device to boot normally.

 You can also check the current APP version in generated A5KInfo.txt file in SD memory.

Replacement of the cell battery

In case the ACCESS-5K events lose the date, the button cell battery CR2032 must be changed.

Technical Data

Electrical parameters

Power Supply	12 / 24V dc/ac
Standby / operating consumption	<50 mA / 100 mA
Maximum power consumption	5W
Relay power (R1 / R2)	3A

Physical parameters

Operating temperature	-20°C ... +55°C
Size	180 x 150 x 85 mm
IP Rating	IP65

Radiofrequency parameters

Motion Frequency	868 MHz
Motion Codification	High-security rolling-code

Solving problems

FAQs

Q: How many users can Access 5k unit handle?

A: Up to 5000 users.

Q: How many codes can be added manually?

A: Codes cannot be added manually, they can only be added using SoftAssistant.

Q: Can the unit be blocked so that no one can delete or program more transmitters?

A: It is not necessary to block the unit as the codes can only be managed with the SoftAssistant.

Q: Can any SoftAssistant read the configuration of my unit?

A: ACCESS-5K can be protected through the customer code and the password.

Q: How can the events be read?

A: Connecting the SD card at the computer and opening the events file through SoftAssistant

Q: Can we power the unit at 230 V?

A: No, we can only supply low voltage, 12/24 Vac / dc.

Q: How many relay outputs does the unit have?

A: It has 2 relay outputs.

Q: Are the relays potential free?

A: Yes, also the relays can be used to switch power to an electric lock, for example.

Q: Which sort of readers can be connected?

A: It has 2 relays outputs.

Q: The relays are potential free?

A: There can be connected readers with Bus-L and Wiegand 26 protocol.

Q: How can I know there is an error if the door does not open?

A: A LED indicates the error. Identified by the number of flashes.

Safety instructions



Disconnect the power supply whenever you proceed to the installation or repair of the control panel.

In accordance with the European low voltage directive, you are informed of the following requirements:

- For permanently connected equipment, an easily accessible connection device must be incorporated into the cabling.
- This system must only be installed by a qualified person that has experience with automatic doors/gates and knowledge of the relevant EU standards.
- The instructions for use of this equipment must always remain in the possession of the user.

Use of the system



This equipment is designed for applications where pedestrian doors installed on garage doors. It is not guaranteed for directly activating equipment other than that specified.

The manufacturer reserves the right to change the specification of the equipment without prior warning.

EC Declaration of conformity



JCM TECHNOLOGIES, S.A. declares herewith that the product ACCESS-5K complies with the requirements of the 1999/5/ CEE R&T-TE Directive, and complies with the fundamental requirements of the 2004/108/EC Directive on electromagnetic compatibility and 2006/95/EC on low voltage, insofar as the product is used correctly.

See web www.jcm-tech.com/en/declarations

