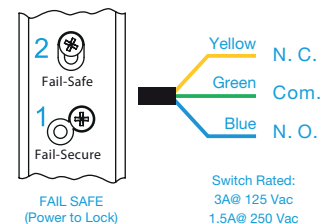
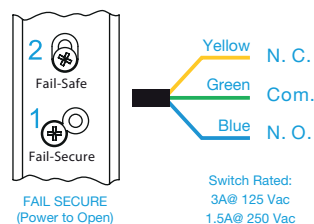
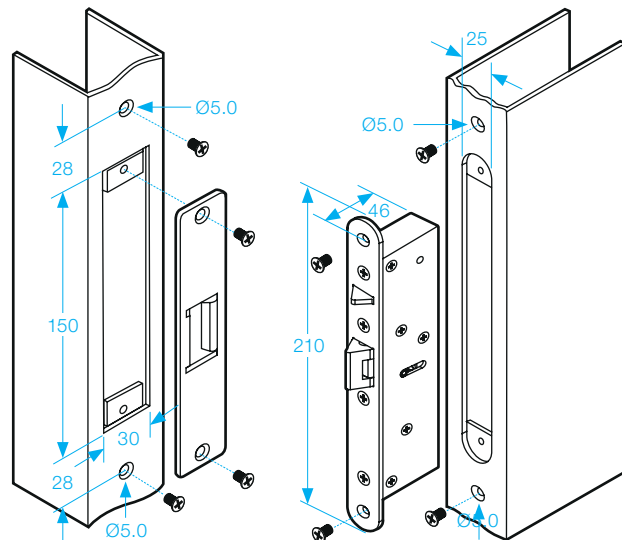
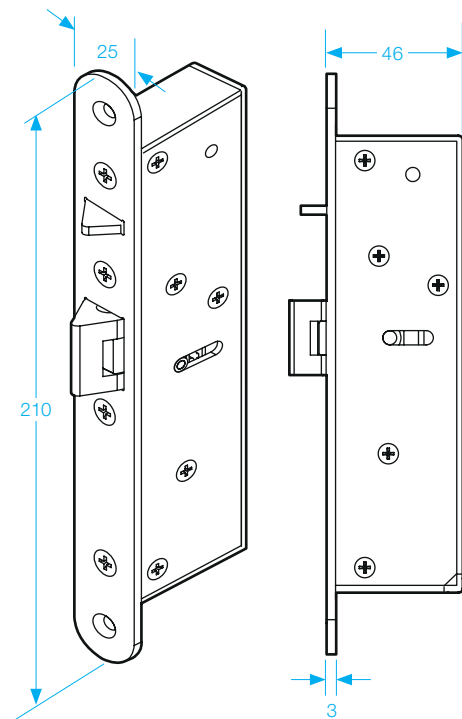


ML210-SW

Electric Lock

- Operating voltage 12~24Vdc
(Selectable)
- Fail-Safe/Fail-Secure (Selectable)
- For double swing doors



SPECIFICATION

- Voltage tolerance: $\pm 15\%$.
- Current draw: 210mA at 12Vdc, 150mA at 24Vdc (at temperature 20°C).
- Operating temperature: -10~45°C (14 to 131°F).
- Lock's surface temperature: Current temperature $\pm 20\%$ (when power is on).
- Lock bolt sensor switch output (SPDT rated 3A at 125Vac).
- Humidity: 0~95% non-condensing.
- Horizontal or vertical installation.
- 2000lbs jaw strength pull testing.
- Tested to 1,000,000 cycles.
- Weight: 594g (approx).