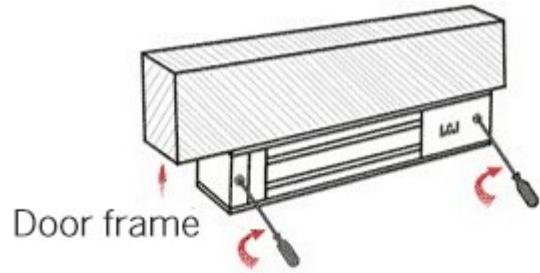
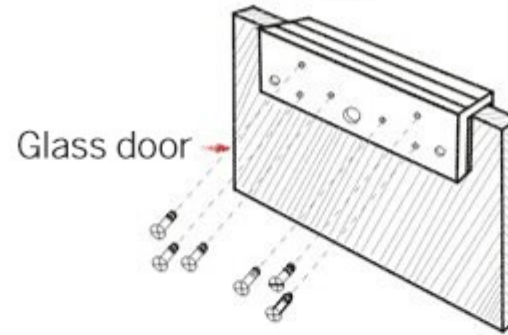


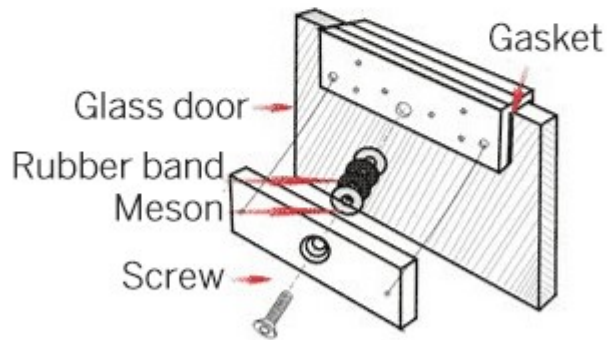
U BRACKET INSTALLATION



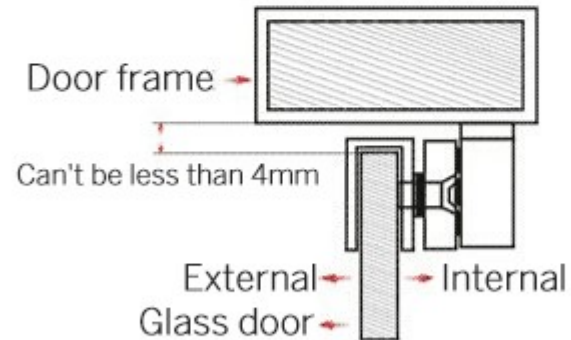
1. Magnetic lock on the door frame



2. Fix the U-bracket on the glass door



3. Install the suction cup on the U-bracket



4. The installation is complete

