



C Prox Ltd (inc Quantek)

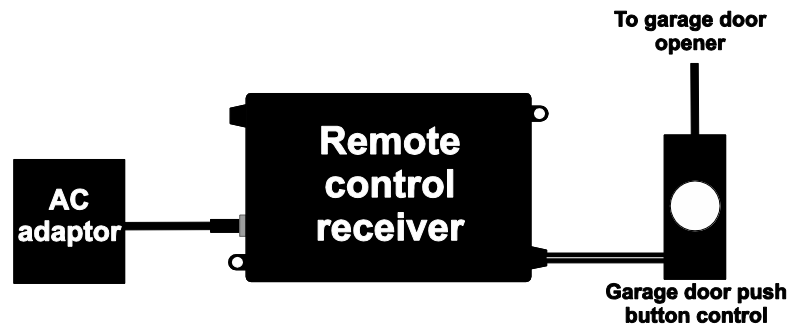
Unit 11 Callywhite Business Park, Callywhite Lane, Dronfield, S18 2XP

+44(0)1246 417113 sales@cproxltd.com www.quantek.co.uk

Garage Door Remote Control Kit – GDRC / GDRC-M

The GDRC universal garage door remote control kit consists of a remote controlled receiver switch, plug in power supply and two transmitters and is designed to add a remote control facility to garage door openers. It can be used with any garage door opener that has an existing low voltage wall mounted push button control or activate terminals.

Power supply: 12/24Vdc
Frequency: 868MHz
Transmission range: 50 metres
Memory: 200 codes
Relay contacts: Normally open, momentary or Bi-Stable
Relay contact rating: 1A @ 24Vdc



Installation

Before making any connections ensure that power to the garage door opener is switched off.

1. The receiver should be located in a position near to a mains socket and within 3 metres of the garage door opener push button control.
2. Locate the wall mounted push button that controls the garage door, remove its cover and connect the 2-core wire from the receiver to the push button terminals that have wires connected to them, polarity does not matter. Replace the bell push cover. If the push button has more than 2 wires, please telephone us before proceeding.
3. Connect the power adaptor to the receiver and then plug the power adaptor into a mains socket and switch on the power.
4. Switch on power to the garage door opener and press the transmitter button marked A to test operation.
5. The single white wire is the antenna, do not cut this and for maximum range keep away from mains wiring and metallic objects.

Programming

Please note the two transmitters supplied with the kit are already programmed. To program additional remotes:

1. Remove the receiver cover by removing the two screws.
2. Push and release the LEARN button, the red learn LED on the receiver will light, push the transmitter button marked A, the red LED on the receiver will flash and then turn off. The transmitter is now programmed **(the transmitter button must be pressed within 10 seconds of pressing the LEARN button, whilst the red LED is still lit).**
3. Repeat for button B and additional transmitters if required.
4. Replace the cover.

Deleting learnt transmitter codes - Erasing the receiver memory

1. Remove the receiver cover.
2. Press and hold the LEARN button for approximately 10 seconds until the red LED on the receiver flashes and then switches off, all the transmitter codes in the memory have now been erased.

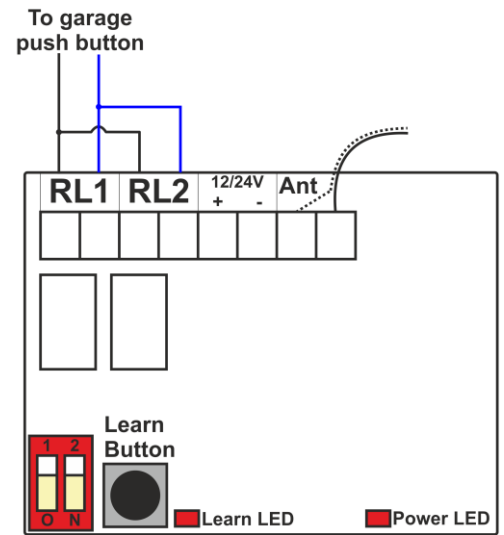
The two dipswitches are to set the relays to either momentary or toggle mode. For normal use as a garage opener they should be set to momentary (off position).

Special configurations:

Enabling both buttons:

It is possible to allow both button A & B to activate the garage door. To do so:

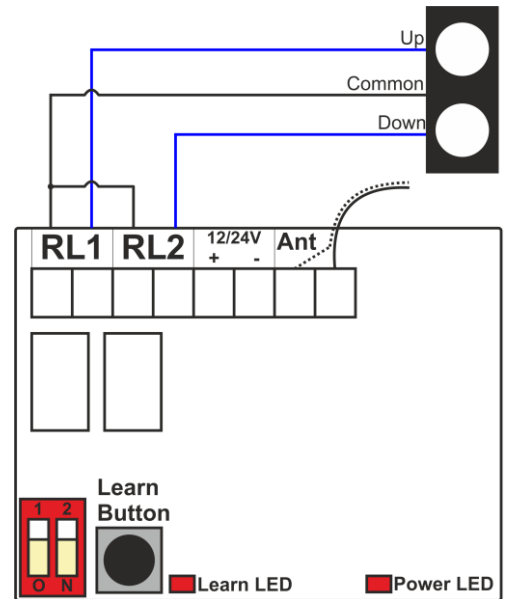
1. Remove the cover of the receiver.
2. Link channel 1 & 2 as shown in the drawing to the right, with two wires.
3. The receiver has push terminals. Press down on the terminal groove with a small screwdriver, insert wire, release terminal.
4. Ensure button B has been programmed on all remotes.
5. Power up the GDRC and garage opener and test functionality.



Separate up & down buttons:

If your garage push button has separate up and down buttons, rather than just 'Start', it will need to be configured like the example:

1. Identify the common, up and down terminals on your push button, please note they may be in a different order to the drawing.
2. If you are unsure about any connections, please consult the original push button/control panel manual or contact us before proceeding.
3. Open the receiver cover and connect wires from the GDRC-M to your push button as per the diagram.
4. The receiver has push terminals. Press down on the terminal groove with a small screwdriver, insert wire, release terminal.
5. Power up the GDRC and garage opener and test functionality. Button A will open the door, button B will close it.



Controlling two garage door openers:

If you wish to control 2 garage doors using the same transmitter:

1. Remove the cover from the receiver.
2. Connect an additional 2 core wire from the terminals marked RL2 to the second garage door push button.
3. The receiver has push terminals. Press down on the terminal groove with a small screwdriver, insert wire, release terminal.
4. Ensure button B has been programmed on all remotes.
5. Power up the GDRC and garage opener and test functionality. Button A will open garage door 1, button B will open garage door 2.

