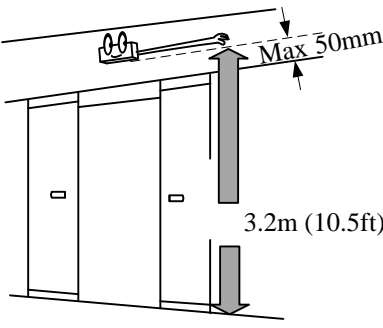


# SSR-3 Quick Installation Guide

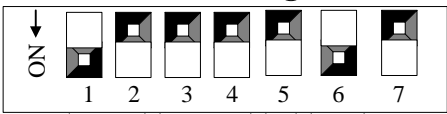
### 1. MOUNT THE SENSOR

Using the mounting template supplied mount the sensor within 50mm of the bottom of the door controller cover



### 2. SET MAIN DIPSWITCHES AS ILLUSTRATED

**Dip Switch (X)**



1 2 3 4 5 6 7

Presence  
Timer: 30s

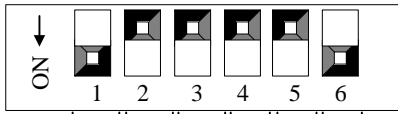
I.R Frequency  
(Change if another SSR-3 is close by)

Monitor Mode:  
Normal

Safety Relay  
Output: N.C

Reflection  
Diagnostics: OFF

**Dip Switch (Y)**



1 2 3 4 5 6

Direction  
Detection: ON

Activation  
Output: N.O.

Radar +IR rows  
2+3/ Radar only

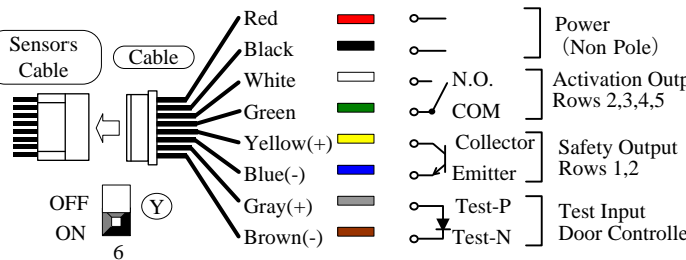
Door Hold  
Open: OFF

Door Learn: OFF

Test Input: ON  
(Set to OFF for Non-EN16005 doors)

### 3. CONNECT TO THE DOOR CONTROLLER

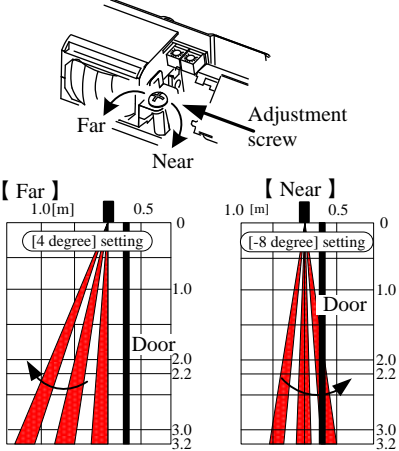
**Note:** For EN16005 door controllers set Y6 to "ON" and connect the Gray & Brown wires to the door controller. If the door controller does not have a "TEST INPUT" set Y6 to "OFF" and do not connect the Gray & Brown wires



### 4. LED INDICATORS

<b>Green</b>	Standby (Ready to Detect)
<b>Green blinking</b>	Doorway Learning (When dip switch Y5 is ON)
<b>Blue</b>	RADAR Detecting
<b>Red</b>	Infrared Detecting Or RADAR and Infrared Detecting at the same time
<b>Orange</b>	Sensor is detecting the moving door
<b>Orange blinking (Fast)</b>	Change of dip switch settings
<b>Orange blinking (Slow)</b>	Door Hold is turned ON (Y4)
<b>Green/Red blinking (Fast)</b>	Internal Sensor Error
<b>Green/Red blinking (Slow)</b>	Reflected infrared signal from the floor is very weak

### 5. SET SAFETY DETECTION AREA



**Note:** Adjust the depth adjustment lever arm so that the detection area is directly in front of the moving door leaf

### 6. SET DESIRED DOOR OPENING DETECTION AREA

**RADAR Detection Area Adjustment**

Installation height "2.2m" with Sensitivity set to "High".

Installation height "2.2m" with Sensitivity set to "Low".

RADAR antenna angle adjustment: 15 deg, 30 deg, 45 deg

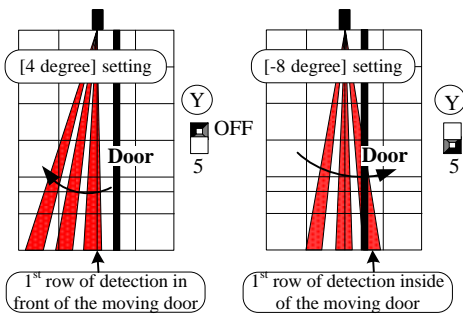
RADAR sensitivity adjustment: H (High), L (Low)

**Infrared Detection Area Width Adjustment**


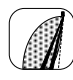



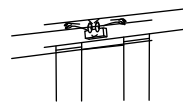

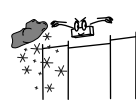




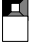

Separation → Put on → Narrow → Wide

### 7. DOOR LEARN

Turning Door Learn ON (Y5), allows the 1<sup>st</sup> row of detection to be focused inside the door close area without detecting door movement. When Door Learn is turned on, the red LED will blink once, followed by a green blinking LED, which will turn solid green once the door learn process has been completed.



### 8. OTHER USEFUL DIPSWITCH SETTINGS

Output Radar (Dip Switch: Y3)	☆ OFF  	ON  
Snow Mode (Dip Switch: X5)	☆ Normal  	Snow  
Adjust sensor frequency settings to prevent cross interference between sensors in close proximity (Dip Switch X3,4)	☆ A  	C  
Turn ON/OFF Uni-directional detection (Dip Switch: Y1)	OFF  	☆ ON 