

GSM RANGE

Cellcom prime & Multicom



 **AES**
G L  B A L

WWW.AESGLOBALONLINE.COM

ACCESS THE FUTURE



Set automatic gate open & close times.



Do-not-disturb watershed time.



User history log to your phone.



Illuminated call button and keypad.



Add keypad codes by App.



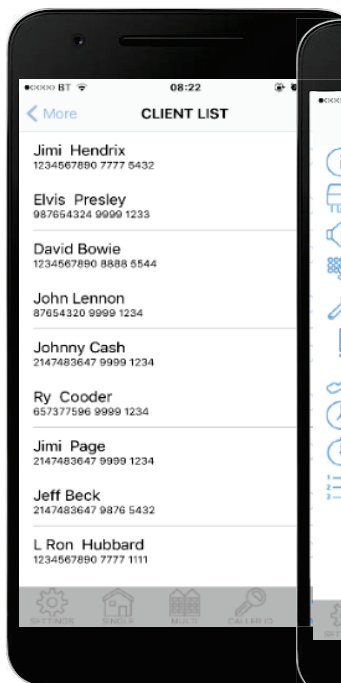
Issue time restricted codes.



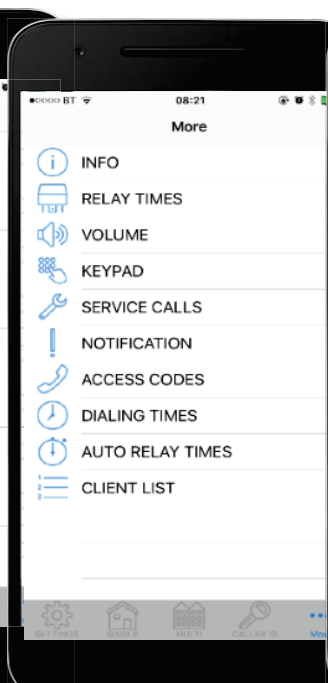
High gain antenna as standard!



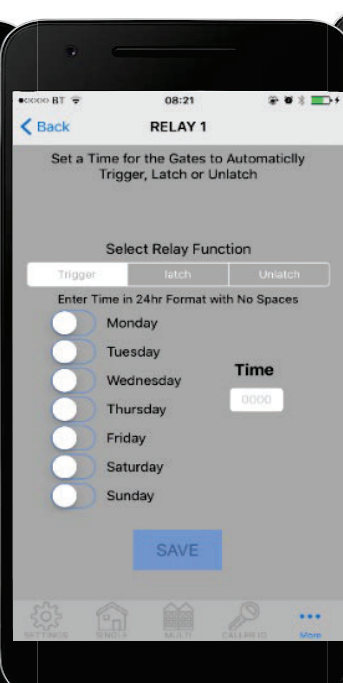
2x Relays



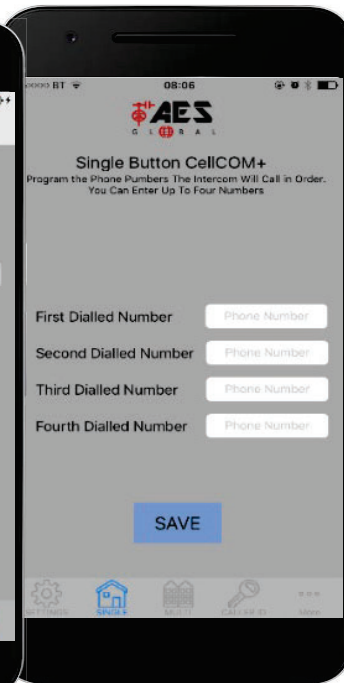
Create a list of all your installs for later editing or diagnostics



Complete menu of all parameters for editing by app



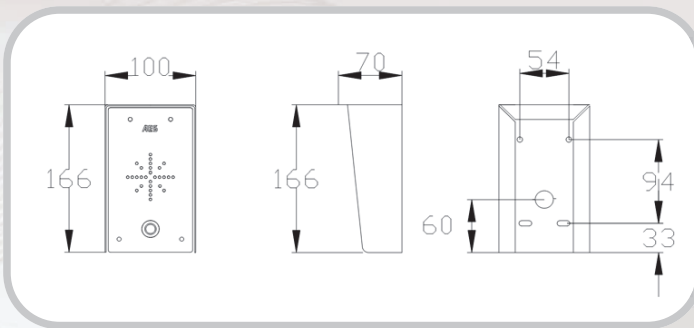
Program auto opening and closing times



Program phone numbers easily!

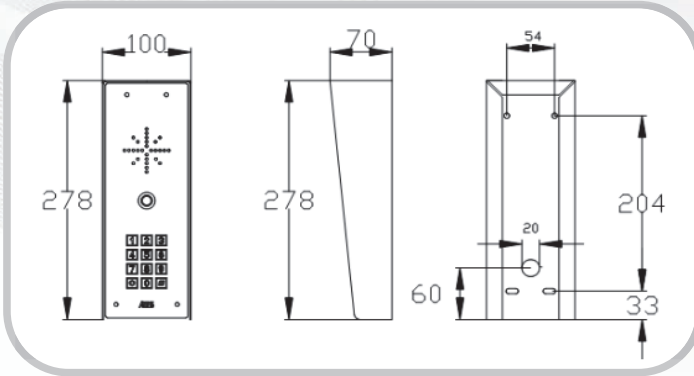
Technical Details

Dial Out Numbers	4	Relays	2
Permanent Codes	200	Relay Type	N/C and N/O
Time Restricted Codes	20	Relay Load	2 amps, 24v ac max
Temporary Codes	30	Power Consumption	300mA on dial out, 2amp peak demand
Automatic Trigger Events per Week	40	Modem Models	2G quad band, 3G EU, 3G USA, 4G Europe, 4G USA, 4G AUS/NZ
Caller ID Numbers	100		
Time Restricted Caller ID Numbers	20	Power Supply	24v dc (24v dc adaptor included)



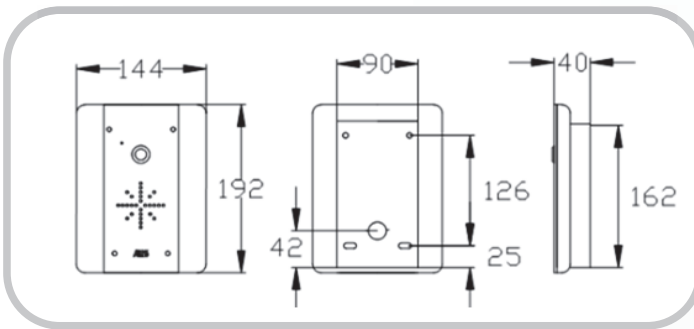
PRIME6-IMP
4G

Ultra stylish all black panel with textured powder coated aluminium hood and gloss black acrylic facia trim over a tough metal back plate. Complete with modern white illuminated push button.



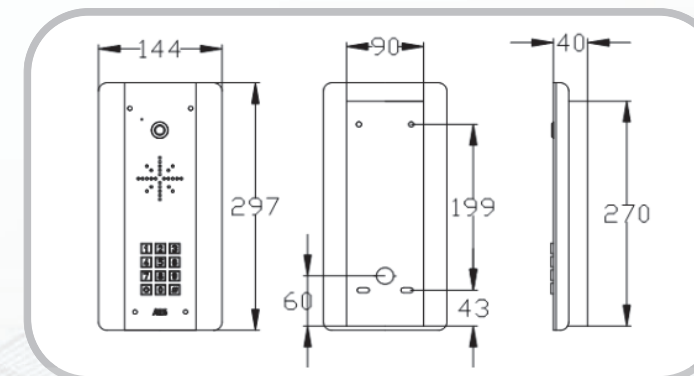
PRIME6-IMPK
4G

Ultra stylish all black panel with textured powder coated aluminium hood and gloss black acrylic facia trim over a tough metal back plate. Complete with modern white illuminated push button and keypad.



PRIME6-AB
4G

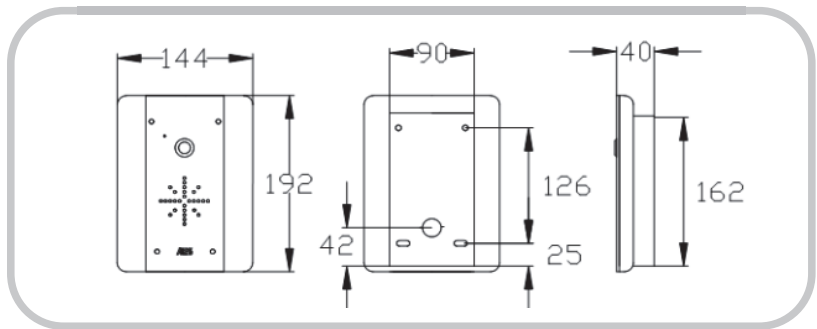
Stylish curved architectural model. Constructed from BS316 marine grade stainless steel and finished with gloss black acrylic trim. Modern blue backlighting.



PRIME6-ABK
4G

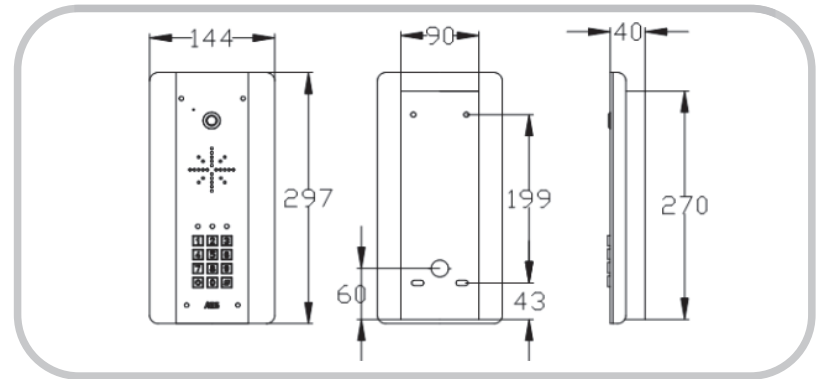
Stylish curved architectural model. Constructed from BS316 marine grade stainless steel and finished with gloss black acrylic trim. Modern blue backlighting with integrated keypad.

Did you know you can add additional slave keypads and prox readers to these kits?



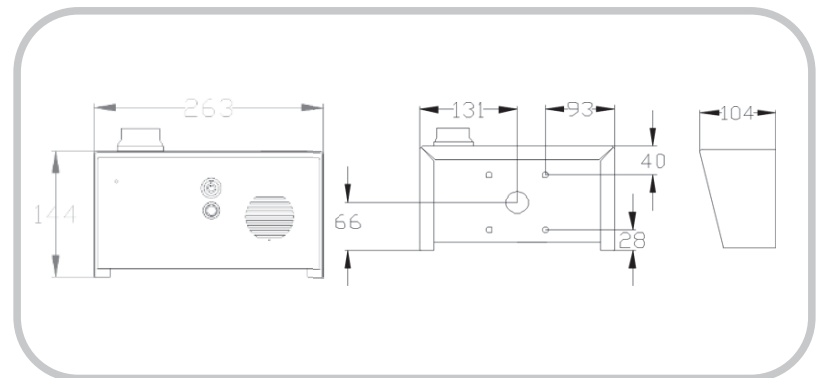
PRIME6-AS
4G

Stylish curved architectural model in an attractive and rugged all brushed BS316 marine grade stainless steel with modern cool white back lighting illumination.



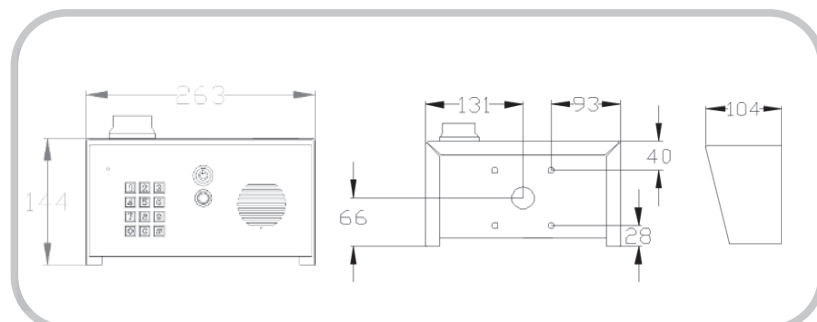
PRIME6-ASK
4G

Curved architectural model in an attractive and rugged all brushed BS316 marine grade stainless steel with modern cool white back lighting illumination and integrated keypad.



PRIME6-IMP-PED
4G

Stylish curved architectural model. Constructed from BS316 marine grade stainless steel and finished with gloss black acrylic trim. Modern blue backlighting with integrated keypad.



PRIME6-IMPK-PED
4G

Stylish curved architectural model in an attractive and rugged all brushed BS316 marine grade stainless steel with modern cool white back lighting illumination.

CellcomProx

Advanced GSM Intercom



Set automatic gate open & close times.



Do-not-disturb watershed time.



User history log to your phone.



Add up to 200 cards or tags to intercom remotely by SMS text or app!



Add up to 20 time restricted tags or cards by app!



Add keypad codes by app.



Issue time restricted codes.



High gain antenna as standard!



2x Relays.

Technical Details

Dial Out Numbers	4	Relays	2
Permanent Codes	200	Relay Type	N/C and N/O
Time Restricted Codes	20	Relay Load	2 amps 24v ac max
Temporary Codes	30	Power Consumption	300mA on dial out, 2amp peak demand
Automatic Trigger Events per Week	40	Modem Models	4G Europe, 4G USA, 4G AUS/NZ
Caller ID Numbers	100	Tag/Card Type	125kHz fixed digit code card, passive type
Time Restricted Caller ID Numbers	20	Tag/Card Quantity	1200*
Power Supply	24v dc (24v dc adaptor included)		

This is a total count of memory locations across 3 separate relays*



▶ PRIME6-PX-IMP 4G



▶ PRIME6-PX-IMPK 4G

Ultra stylish all black panel with textured powder coated aluminium hood and gloss black acrylic facia trim over a tough metal back plate. Complete with modern white illuminated push button and integrated Prox reader. Kits complete with 3 proximity cards with additional cards available to purchase. Also available with modern white illuminated push button and keypad.



▶ PRIME6-PX-AB 4G



▶ PRIME6-PX-ABK 4G

Stylish curved architectural model. Constructed from BS316 marine grade stainless steel and finished with gloss black acrylic trim. Complete with modern blue illuminated push button and integrated Prox reader. Kits complete with 3 proximity cards with additional cards available to purchase. Also available with modern white illuminated push button and keypad.



▶ PRIME6-PX-AS 4G



▶ PRIME6-PX-ASK 4G

Stylish curved architectural model. Constructed from BS316 marine grade stainless steel. Complete with white illuminated push button and integrated Prox reader. Kits complete with 3 proximity cards with additional cards available to purchase. Also available with modern white illuminated push button and keypad.



▶ PROXCARD-125K-AES

- 125KHz fixed 10 digit code Card.
- Add to intercom remotely by SMS text or APP.
- Also available in packs of 10 & 50.



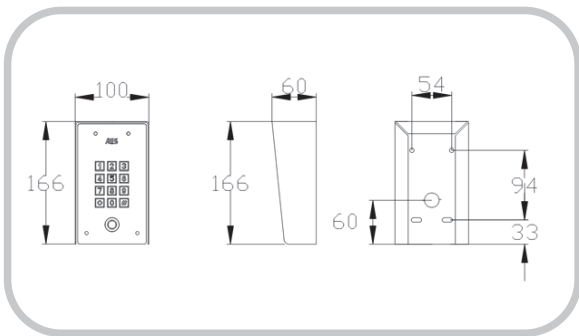
▶ AES-PROX-TAG

- 125KHz fixed 10 digit code TAG.
- Available in packs of 10, 25, 50 & 100.

Did you know you can add additional slave keypads and prox readers to these kits?

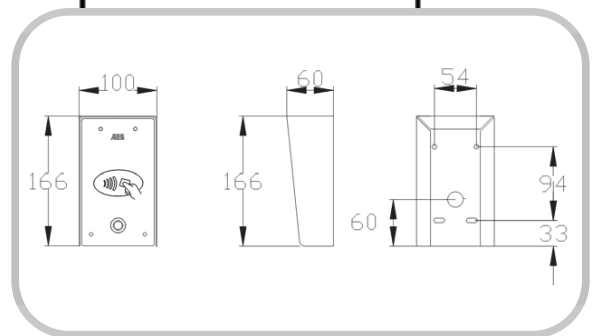
CellcomPrime

Slave Devices



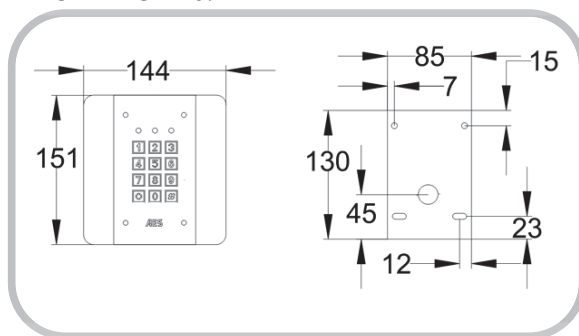
PRIME-SLV-KP-IMP

Imperial Slave Keypad.
Works with any "PRIME6-" product.
Compatible with Multi-Classic and Multi-Lite kits.



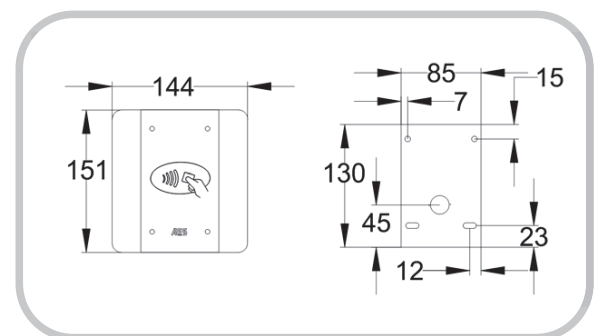
PRIME-SLV-PX-IMP

Imperial Slave Prox Reader.
Works with any "PRIME6-" product.



PRIME-SLV-KP-AB

Architectural Slave Keypad.
Works with any "PRIME6-" product.
Compatible with Multi-Classic and Multi-Lite kits.



PRIME-SLV-PX-AB

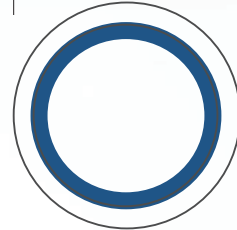
Architectural Slave Prox Reader.
Works with any "PRIME6-" product.
Compatible with Multi-Classic and Multi-Lite kits.

Cellcomprime

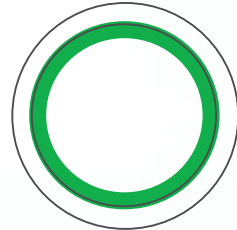
Advanced GSM Intercom

NO TOUCH GSM INTERCOMS

NO TOUCH SENSOR BUTTON



BLUE Light
Standby



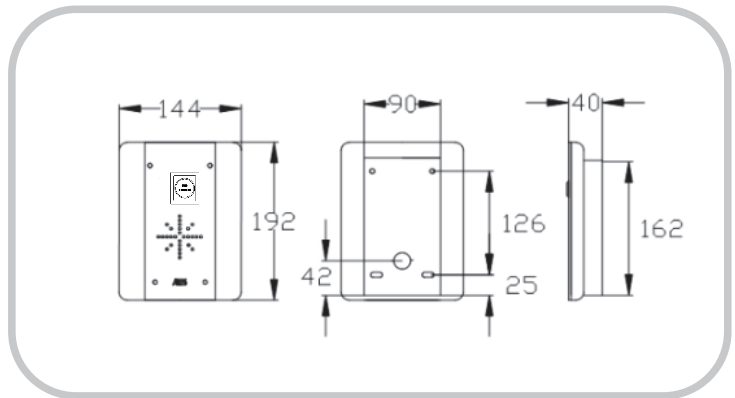
Green light
Active



Technical Details

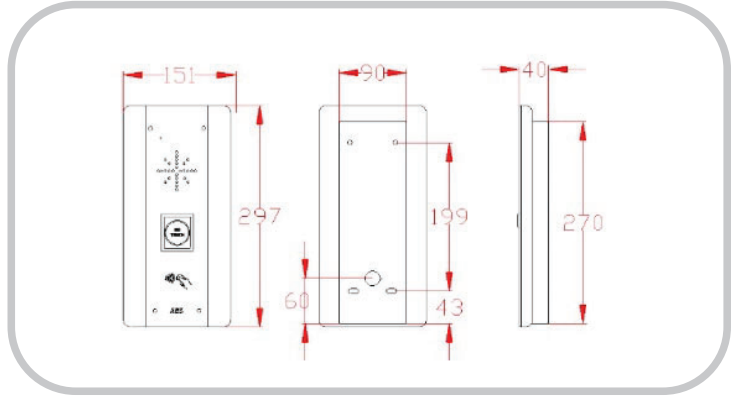
Dimensions	72L *72W*38H(mm)	Operating Temp	-20c~+55c (14-131F)
Contact Rate:	3A/125-250VAC	Operating Humidity	0-95% (relative humidity)
Power	12-24VDC	Detection Range	5-10cm
Waterproof	IP68	LED indicator	BLUE LED (Standby) GREEN (Active)

Architectural NO TOUCH Panel Options



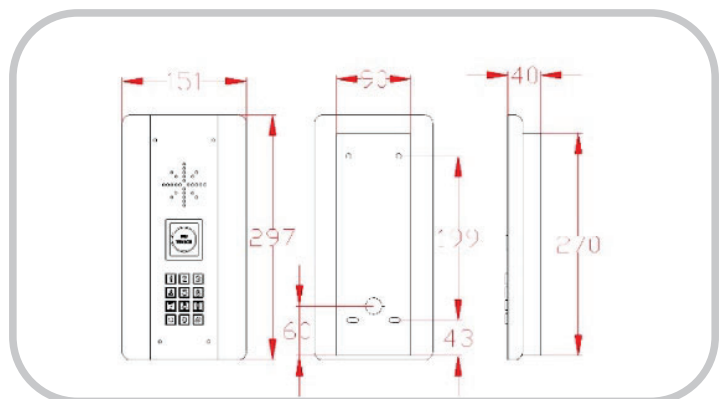
PRIME6-AB/4GE-NT **4G**

Stylish curved architectural model. Constructed from BS316 marine grade stainless steel and finished with gloss black acrylic trim and no touch call point sensor. Modern blue backlighting.



PRIME6-PX-AB/4GE-NT **4G**

Stylish curved architectural model. Constructed from BS316 marine grade stainless steel and finished with gloss black acrylic trim and no touch call point sensor. Modern blue backlighting. Built in Proximity reader.



PRIME6-PX-KP-ABK/4GE-NT **4G**

Stylish curved architectural model. Constructed from BS316 marine grade stainless steel and finished with gloss black acrylic trim. With integrated Prox reader and no touch call point sensor. Modern blue backlighting. Keypad Model.