

FR-A10001DS

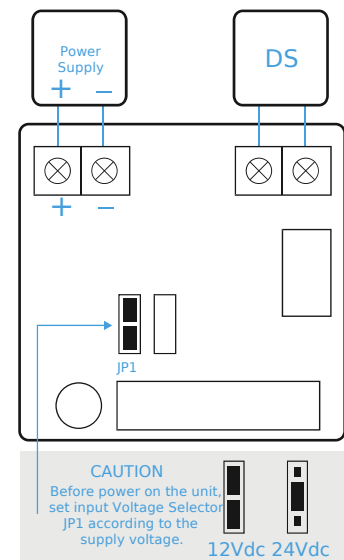
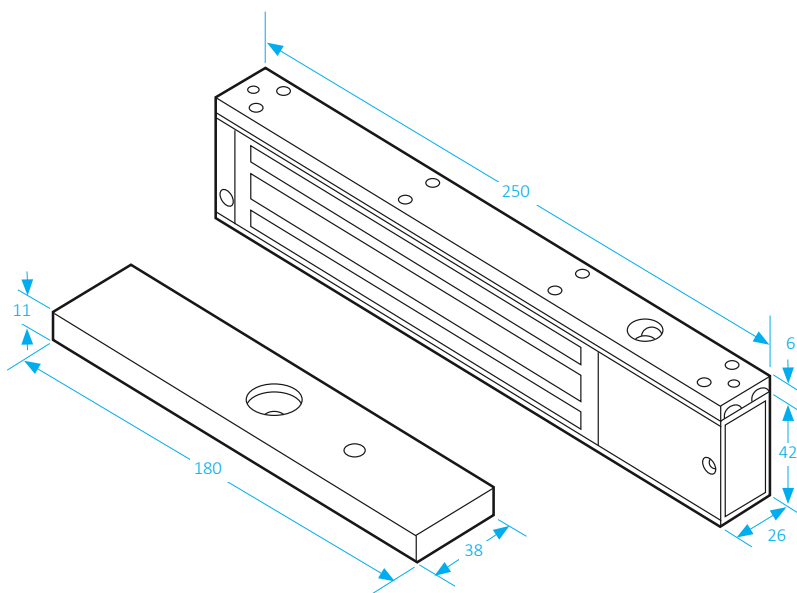
Unmonitored with Door Status Mini Magnet



- Operating voltage 12~24Vdc (*Selectable*)
- Aluminium housing
- Safety bolts fitted
- Holding force up to 600lbs (*272Kg*)
- Electro-less Nickel Plated Armature
- Fail-Safe
- Door status: An independent contact that works separately from the magnet to show door status not lock status



BS EN1634:1



SPECIFICATIONS

- Voltage tolerance: $\pm 10\%$.
- Current draw: 480mA at 12Vdc, 240mA at 24Vdc (*at temperature 20°C*).
- Operating temperature: $-10\sim 55^{\circ}\text{C}$ (*14 to 131°F*)
- Lock's surface temperature: Current temperature $\pm 20\%$ (*when power is on*).

- Humidity: 0~95% non-condensing.
- Aluminium housing, nickel plated armature.
- Weight: 2.0kg (*approx.*).