



C Prox Ltd (inc Quantek)

Unit 11 Callywhite Business Park, Callywhite Lane, Dronfield, S18 2XP

+44(0)1246 417113 sales@cproxltd.com www.quantek.co.uk

Access Control Keypad & Reader

KPS

User Manual



Please read the manual carefully before installing this unit

1. Packing list

Name	Quantity	Remarks
Keypad	1	
User manual	1	
Screwdriver	1	
Wall plugs	2	Used for fixing
Self tapping screws	2	Φ4mm×25 mm, used for fixing
Master cards	2	Add & delete
Diode IN4004	1	For relay circuit protection

Please ensure that all the above contents are correct. If any are missing, please notify us immediately.

2. Description

The KPS is a single door multifunction standalone access controller or a Wiegand output keypad/card reader. It is suitable for mounting either indoors or outdoors in harsh environments. It is housed in a strong, sturdy and vandal proof zinc alloy powder coated case. It uses Atmel MCU assuring stable performance. The operation is very user friendly, and the low-power circuit ensures a long service life.

This unit supports up to 1000 users (998 common users and 2 panic users), all user data can be transferred from one to another which is very useful if there a multiple KPS's on the same site, as only 1 has to be programmed saving time. The inbuilt card reader supports 125KHZ EM cards. The unit has many extra features including Wiegand output, interlock mode and backlit keys. These features make the unit an ideal choice for door access not only for small shops and domestic households but also for commercial and industrial applications such as factories, warehouses, laboratories, banks and prisons.

3. Features

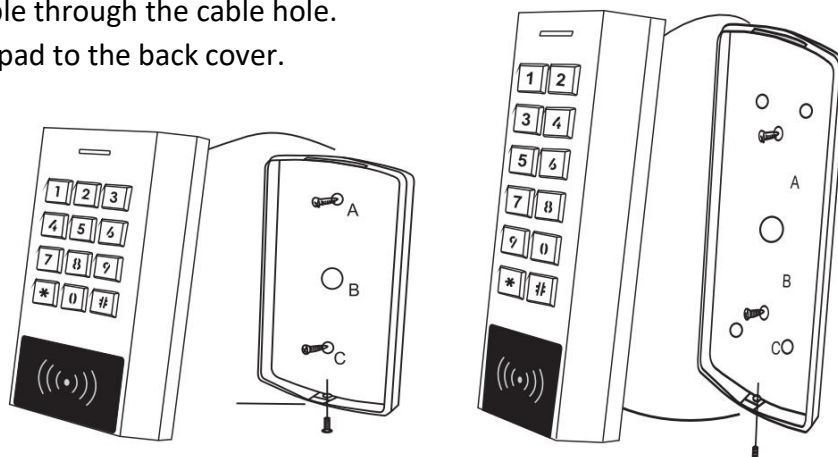
- Supports wide voltage input 12-28Vac/dc
- Waterproof, conforms to IP66
- Strong zinc alloy powder coated anti-vandal case
- Full programming from the keypad
- 1000 users, supports card, PIN, or card + PIN
- PIN length 4-6 digits
- Backlit keys
- Wiegand 26-37 bits input & output
- Tri colour LED status display
- Integrated alarm and buzzer output
- Pulse or toggle mode
- User data can be transferred
- 2 devices can be interlocked for 2 doors
- Built in light dependent resistor (LDR) for anti-tamper

4. Specification

Operating voltage	12-28Vac/dc
Idle current consumption Max current consumption	<60mA <80mA
User capacity	1000
Common users Panic users	998 2
Proximity card reader	EM
Frequency Card reading distance	125KHz 2-6 cm
Wiring connections	Relay output, exit button, alarm, door contact, Wiegand input, Wiegand output
Relay	One (Common, NO, NC)
Adjustable relay time Relay maximum load	1-99 seconds (5 seconds default), or Toggle mode 2Amp
Wiegand interface	Wiegand 26-37 bits (Default: Wiegand 26 bits, 4bits)
Wiegand input Wiegand output PIN output	26-37 bits 26-37 bits 4 bits, 8 bits(ASCII), 10 digits virtual number
Environment	Meets IP66
Operating temperature Operating humidity	-45 to 60°C 0%RH to 98%RH
Physical	Zinc alloy
Colour Dimensions Unit weight	Silver 114.5 x 75 x 22mm 360g

5. Installation

- Remove the back cover from the keypad using the supplied special screwdriver.
- Mark and drill two holes on the wall for the self-tapping fixing screws and one for the cable.
- Put the two wall plugs into the fixing holes.
- Fix the back cover firmly on the wall with the two self-tapping screws.
- Thread the cable through the cable hole.
- Attach the keypad to the back cover.



6. Wiring

Colour	Function	Description
Basic standalone wiring		
Red	AC/DC	12-28Vac/dc regulated power input
Black	AC/DC	12-28Vac/dc regulated power input
Pink	GND	Ground
Blue	NO	Relay normally open output
Purple	COM	Relay output common
Orange	NC	Relay normally closed output
Yellow	OPEN	Exit button input (Normally open, connect other end to GND)
Pass-through wiring (Wiegand reader or controller)		
Green	D0	Wiegand input/output Data 0
White	D1	Wiegand input/output Data 1
Advanced input and output features		
Grey	ALARM	External alarm output negative
Brown	D_IN DOOR CONTACT	Door/gate magnetic contact input (Normally closed, connect other end to GND)

Note: If an exit button is not being connected, it is advisable to still run the yellow wire back to the power supply and leave it taped up or on a terminal block. This will make it easier to perform a factory reset at a later date if required, avoiding the need to remove the keypad from the wall.

See last page for more information about how to perform a factory reset.

Tape all unused wires to prevent short circuit.

7. Sound & light indication

Operation	LED indicator	Buzzer
Standby	Red	
Enter programming mode	Red flashing slowly	One beep
In a programming menu	Yellow	One beep
Operation error		Three beeps
Exit programming mode	Red	One beep
Door unlocked	Green	One beep
Alarm	Red flashing quickly	Alarming

8. Simplified quick programming guide

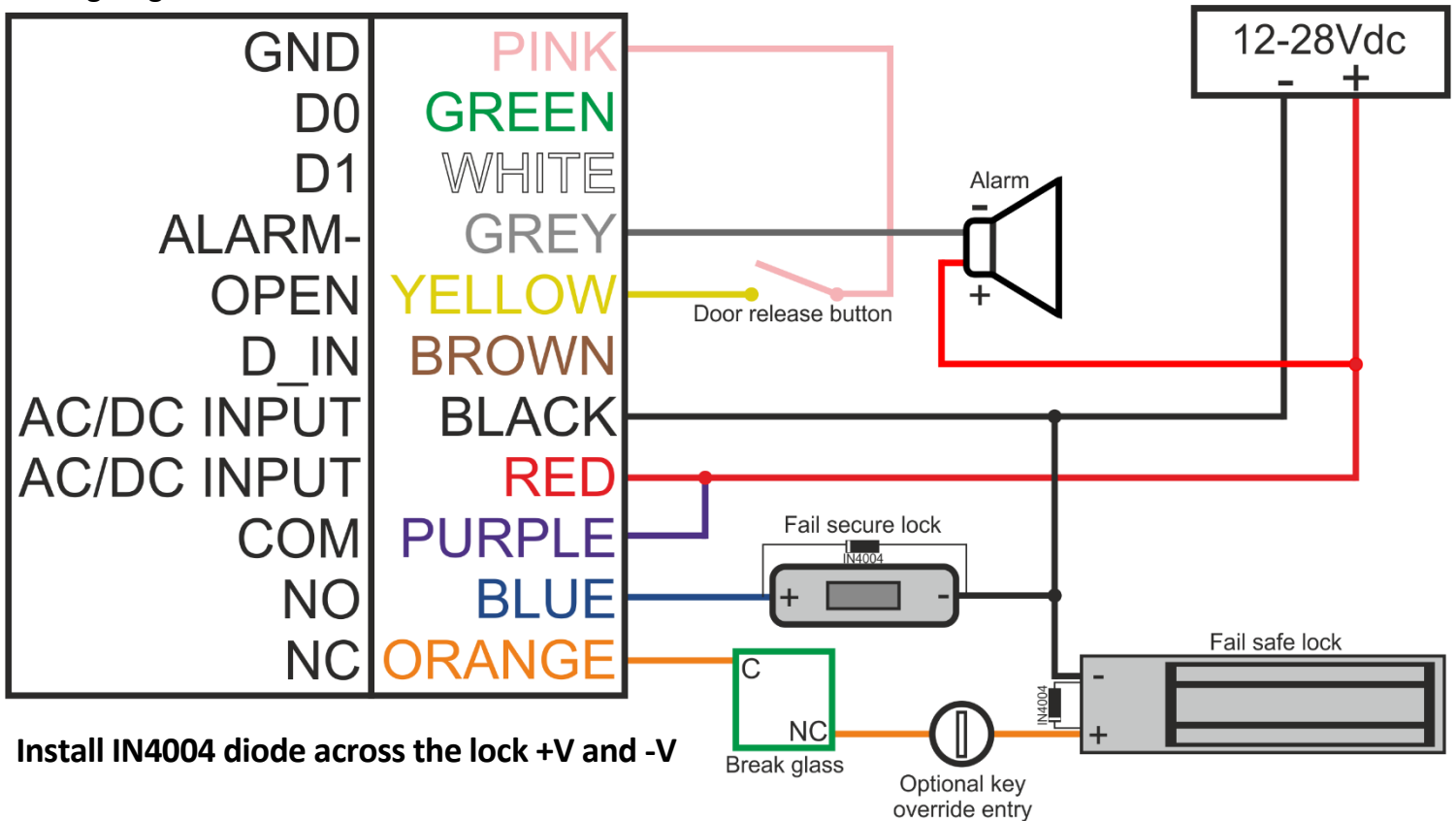
Enter programming mode	* 123456 # Now you can do the programming. 123456 is default master code.
Change master code	0 New Master code # New Master code # The master code is any 6 digits
Add card user	1 Read card # Cards can be added continuously without exiting programming mode
Add PIN user	1 PIN # PINs can be added continuously without exiting programming mode. PIN is any 4-6 digit number, with the exception of 8888 which is reserved.
Delete user	2 Read card # for card user 2 Input PIN # for PIN user
Exit programming mode	*
How to release the door	
Card user	Read card
PIN user	Input PIN#

9. Standalone mode

The KPS can be used as a standalone reader for a single door or gate

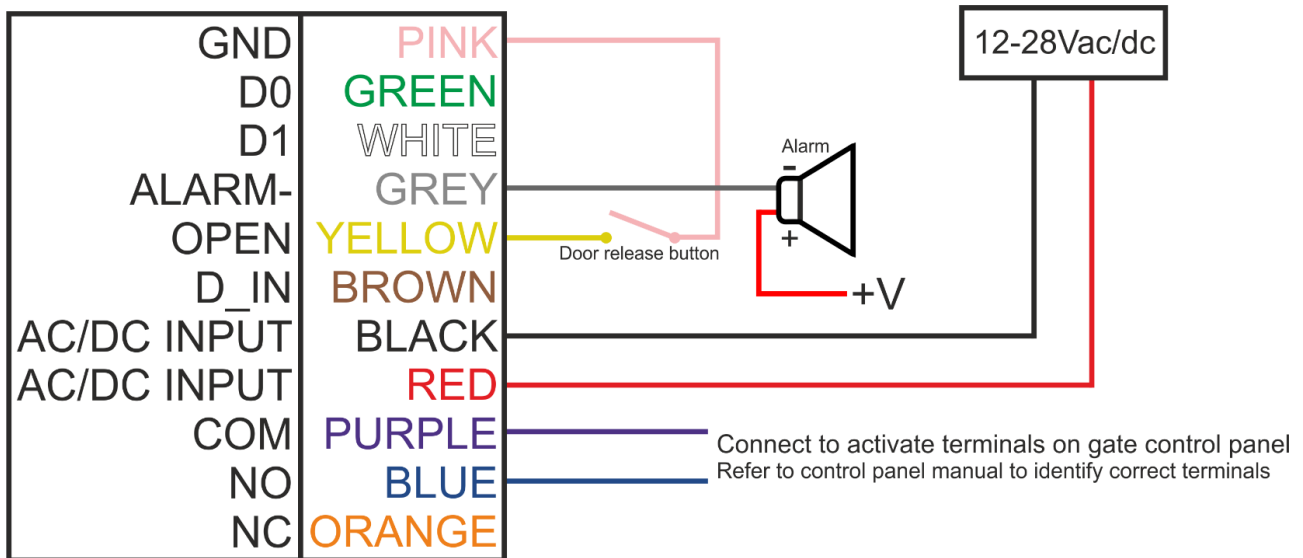
* **Master code** # **7 2** # (Factory default mode)

Wiring diagram – Lock



Install IN4004 diode across the lock +V and -V

Wiring diagram – Gate, barrier, etc.



Set a new master code

1. Enter programming mode	* Master code # 123456 is default master code
2. Change master code	0 New Master code # New Master code # The master code is any 6 digits
3. Exit programming mode	*

It is highly advised to keep a record of the User ID number and card number to allow for individual deletion of cards and PINs in the future, see the last page.

Add common users – card

1. Enter programming mode	* Master code # 123456 is default master code
2. Add a card user (Method 1) The KPS will automatically assign the card to the next available user ID number	1 Read card # Cards can be added continuously without exiting programming mode
2. Add a card user (Method 2) In this method a user ID number is allocated to a card. User ID number is any number from 0-997. Only one user ID number per card.	1 User ID number # Read card # Cards can be added continuously without exiting programming mode
2. Add a card user (Method 3) In this method the card is added by the 8 or 10 digit card number printed on the card. User ID number is automatically assigned.	1 Card number # Cards can be added continuously without exiting programming mode
2. Add block of sequential card numbers Allows manager to add up to 998 cards with sequential numbers to the reader in a single step. Can take up to 2 minutes to program.	1 User ID number # Card quantity # First Card number #
3. Exit programming mode	*

Add common users – PIN

1. Enter programming mode	* Master code # 123456 is default master code
2. Add a PIN (Method 1) The KPS will automatically assign the card to the next available user ID number	1 PIN # PINs can be added continuously without exiting programming mode. PIN is any 4-6 digit number, with the exception of 8888 which is reserved.
2. Add a PIN (Method 2) In this method a user ID number is allocated to a PIN. User ID number is any number from 0-997. Only one user ID number per PIN.	1 User ID number # PIN # PINs can be added continuously without exiting programming mode. PIN is any 4-6 digit number, with the exception of 8888 which is reserved.
3. Exit programming mode	*

Add panic users

When a panic PIN is entered or panic card is read, the unit will still grant access normally, but the external alarm will be activated. Unit must be depowered to turn off panic alarm.

1. Enter programming mode	* Master code # 123456 is default master code
2. Add a card OR Add a PIN	1 User ID number # Read card OR Input 8/10 digit card number # 1 User ID number # PIN # User ID number is 998 or 999
3. Exit programming mode	*

Assign PIN to a card user

Firstly, add a card as per the previous page

Note this is done outside of programming mode, users can undertake this themselves	
1. Assign PIN to a card user	* Read card # 8888 # New PIN # Repeat new PIN #
2. Exit	*

Change PIN users

Note: this is done outside of programming mode, users can undertake this themselves	
1. Change PIN by card	* Read card # Old PIN # New PIN # Repeat new PIN #
2. Change PIN by user ID	* User ID # Old PIN # New PIN # Repeat new PIN #
3. Exit	*

Delete common users – card

1. Enter programming mode	* Master code # 123456 is default master code
2. Delete a card user (Method 1) Delete the user by reading their card	2 Read card # Cards can be deleted continuously without exiting programming mode
2. Delete a card user (Method 2) Delete the user by user ID number. This method is useful is the user has lost their card	2 User ID number # Cards can be deleted continuously without exiting programming mode
2. Delete a card user (Method 3) Delete the user by the 8/10 digit card number. This method is useful is the user has lost their card	2 Input card number # Cards can be deleted continuously without exiting programming mode
3. Exit programming mode	*

Delete common users – PIN

1. Enter programming mode	* Master code # 123456 is default master code
2. Delete a PIN (Method 1) Delete the user by entering their PIN	2 Input PIN # PINs can be deleted continuously without exiting programming mode
2. Delete a PIN (Method 2) Delete the user by user ID number	2 User ID number # PINs can be deleted continuously without exiting programming mode
3. Exit programming mode	*

Delete panic users

1. Enter programming mode	* Master code # 123456 is default master code
2. Delete a panic user Delete the user by entering their PIN	2 User ID number # User ID number is 998 or 999. The method is the same for cards and PINs
3. Exit programming mode	*

Delete ALL users

1. Enter programming mode	* Master code # 123456 is default master code
2. Delete all users	2 Master code #
3. Exit programming mode	*

Set relay configuration

1. Enter programming mode	* Master code # 123456 is default master code
2. Pulse mode OR 2. Latch mode	3 1-99 # The relay time is 1-99 seconds. (1 equals 50mS). Default is 5 seconds. 3 0 # Read valid card, relay switches. Read valid card again, relay switches back.
3. Exit programming mode	*

Set access mode

1. Enter programming mode	* Master code # 123456 is default master code
2. Card only OR 2. Card + PIN OR 2. Card or PIN OR 2. Multi cards/PINs access	4 0 # 4 1 # 4 2 # (Default) 4 3 (2-9) # Only after reading 2-9 cards or inputting 2-9 PINs can the door be opened. Interval time between reading cards/inputting PINs cannot exceed 5 seconds or the unit will exit to standby.
3. Exit programming mode	*

Set strike-out alarm

The strike-out alarm will engage after 10 consecutive failed card attempts. Factory default is OFF. It can be set to deny access for 10 minutes or activate the reader's internal alarm.

1. Enter programming mode	* Master code # 123456 is default master code
2. Strike-out OFF OR 2. Strike-out ON OR 2. Strike-out ON (Alarm) Set alarm time	6 0 # No alarm or lockout (default mode) 6 1 # Access will be denied for 10 minutes 6 2 # The device will alarm for the time set below 5 0-3 # 0-3 is the time in minutes. Default is 1 minute. Enter master code # or valid card/PIN to silence
3. Exit programming mode	*

Set audible and visual response

1. Enter programming mode	* Master code # 123456 is default master code	
2. Control Sounds	OFF = 7 0 #	ON = 7 1 # (Default)
2. Control LED	OFF = 7 4 #	ON = 7 5 # (Default)
2. Control backlit keys	OFF = 7 6 #	ON = 7 7 # (Default)
3. Exit programming mode	*	

Master cards usage

Using master cards to add and delete card users	
Add a user	<ol style="list-style-type: none"> 1. Read master add card 2. Read card user (Repeat for additional user cards, user ID number will be assigned to next available slot) 3. Read master add card again
Delete a user	<ol style="list-style-type: none"> 1. Read master delete card 2. Read card user (Repeat for additional user cards) 3. Read master delete card again

User operation

To open the door:

Read valid card or Input valid PIN.

If access mode is set to card + PIN, read card first and enter PIN within **5 seconds**

To turn off alarm:

Read valid card or Enter valid PIN or Enter master code#

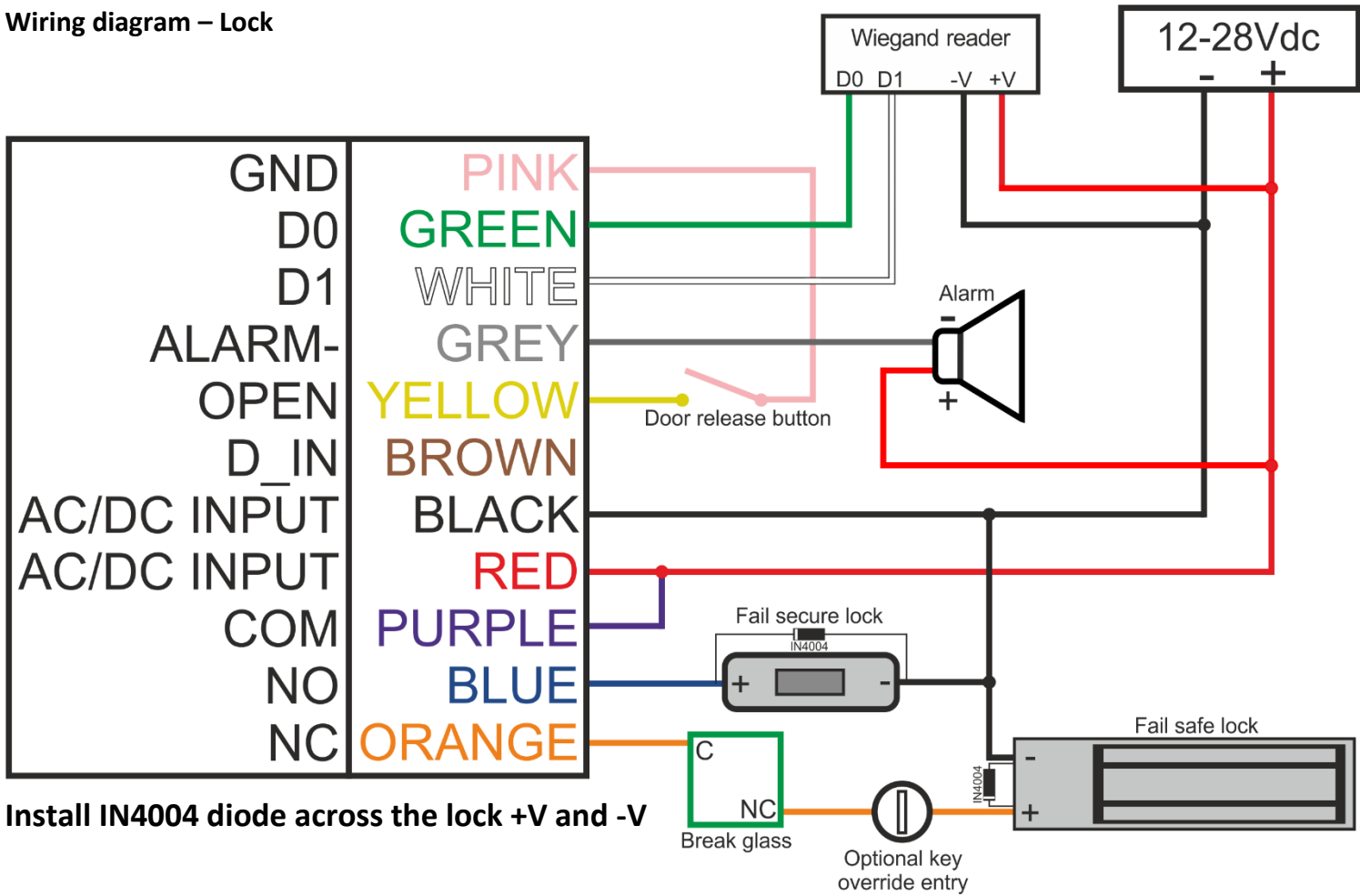
Unit must be depowered to turn off panic alarm.

10. Controller mode

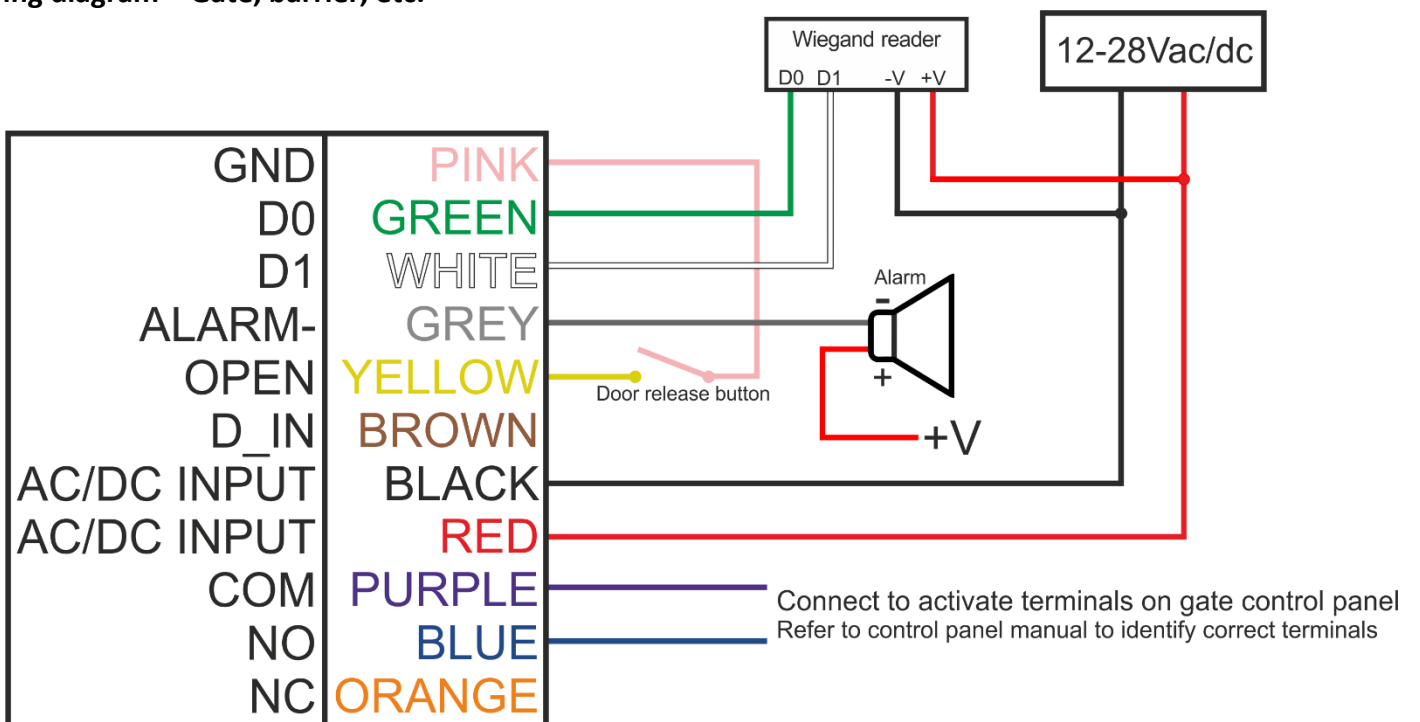
The XK1 can work as a controller, connected to an external Wiegand reader.

* **Master code # 7 2 #** (Factory default mode)

Wiring diagram – Lock



Wiring diagram – Gate, barrier, etc.



Set Wiegand input formats

Please set the Wiegand input format according to the Wiegand output format of the external reader.

1. Enter programming mode	* Master code # 123456 is default master code
2. Wiegand input bits	8 26-37 # (Factory default is 26 bits)
3. Exit programming mode	*

If XK1 is connected to a keypad reader

The keypad reader can be 4 bits, 8bits (ASCII) or 10 bits digital virtual number output format. Choose the below operation according to the PIN output format of your reader.

1. Enter programming mode	* Master code # 123456 is default master code
2. Wiegand input bits	8 4 or 8 or 10 # (Factory default is 4 bits)
3. Exit programming mode	*

Programming

Basic programming is the same as standalone mode.

Notes: If the external reader is EM (125KHz), then cards can be added on either unit. PINs can be added on either unit.

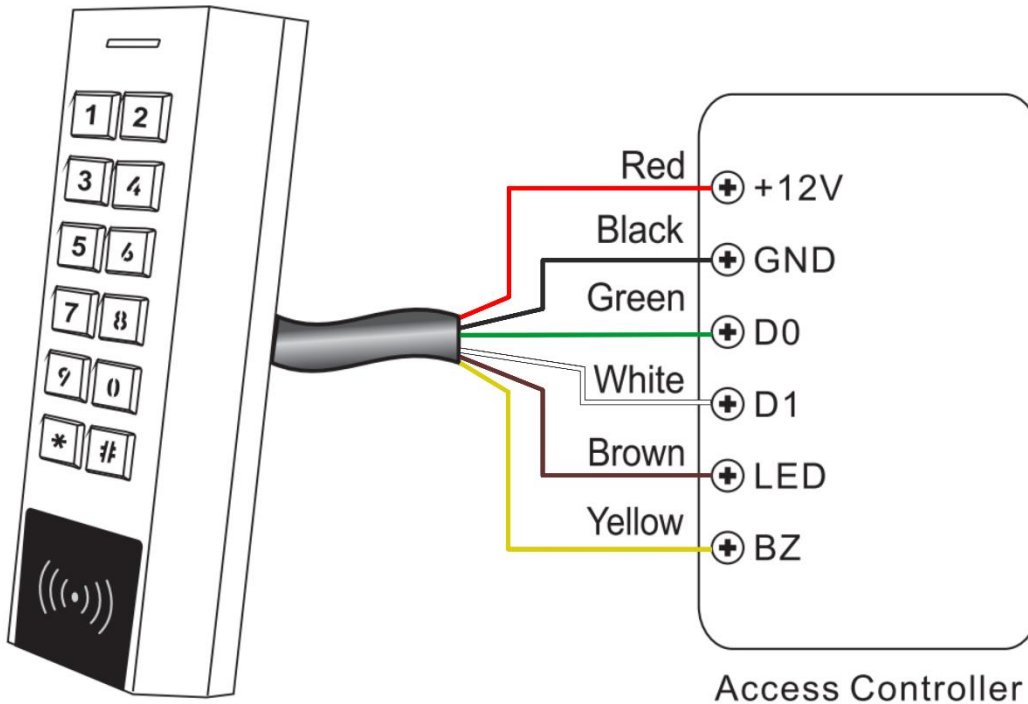
11. Wiegand reader mode

The XK1 can work as a standard Wiegand reader, connected to a third-party controller.

To set this mode:

1. Enter programming mode	* Master code # 123456 is default master code
2. Wiegand reader mode	7 3 # (Factory default is 26 bits)
3. Exit programming mode	*

Wiring



When set to reader mode, brown and yellow wires are redefined to green LED control and buzzer control respectively.

All programming is carried out at the third-party access controller.

Set Wiegand input formats

Please set the Wiegand input format according to the Wiegand output format of the external reader.

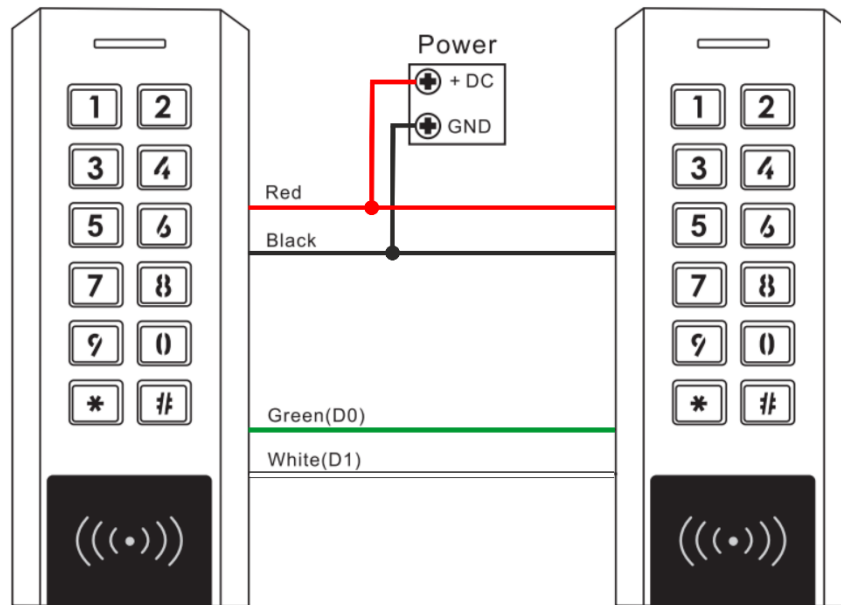
1. Enter programming mode	* Master code # 123456 is default master code
2. Wiegand input bits	8 26-37 # (Factory default is 26 bits)
3. Exit programming mode	*

12. Advanced application

User information transfer

The KPS supports the user information transfer function, allowing the enrolled users (cards and PINs) to be transferred to another KPS or KPN unit. This is useful when installing multiple KPS/KPN's on the same site and the users have the same access rights to all doors, as it means only one unit needs to be programmed and all data can be transferred to the other units saving a lot of time.

Wiring diagram:



Notes:

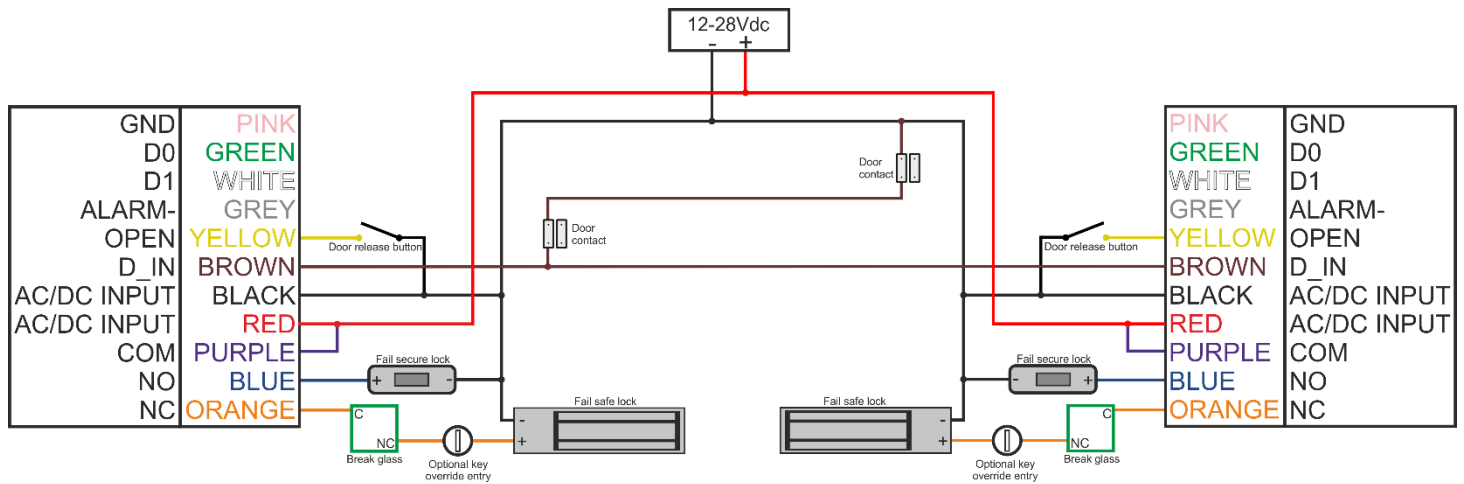
- The master code must be the same on both units.
- Programming is done from the master unit only.
- If the receiving unit already has users enrolled, it will be overwritten.
- Transfer can take up to 3 minutes.

1. Enter programming mode	* Master code # <i>123456</i> is default master code
2. Start the transfer	9 6 #
Within 3 minutes, the green LED will light up and the unit will beep, the LED will turn red and the user information transfer is successfully completed.	
3. Exit	*

Interlock

The KPS supports two door interlocking function. A keypad is fitted to each door. Only when door 2 is fully closed can the user activate keypad 1, and vice versa.

Wiring diagram



Install IN4004 diodes across the lock +V and -V

Notes:

- The door contact must be installed and connected as per the wiring diagram above.
- Enrol users on keypad 1, then transfer the users' information to keypad 2 using the function explained on the previous page.

Set BOTH keypads to interlock mode

1. Enter programming mode	* Master code # 123456 is default master code
2. Turn ON interlock	9 1 #
3. Exit programming mode	*

To turn off interlock mode

1. Enter programming mode	* Master code # 123456 is default master code
2. Turn OFF interlock	9 0 #
3. Exit programming mode	*

13. Factory reset & adding master cards.

Power off, press and hold the exit button whilst powering up the unit. There will be 2 beeps, release the exit button, the LED turns yellow. Then read any two EM 125KHz cards, the LED will turn red. The first card read is the master add card, the second card read is the master delete card. Factory reset is now complete.

User data is unaffected.

14. Issue record

Site:		Door location:	
--------------	--	-----------------------	--

User ID No	User name	PIN	Card number	Issue date
0				
1				
2				
3				

