

HARDWIRED

- 12 - 28Vdc
- Up to 70mm activation range
- 4 position sensitivity adjustment (Touch to hands free)
- Adjustable timed clean relay output
- Sounder on activation
- Selectable red, green & blue LED's
- Scratch resistant anti microbial acrylic label
- Entire label is sensitive
- Reinforced nylon housing
- IP65 rated



RHAND



RHAND-NT



ROPEN



ROPEN-NL



RSOPEN-NL



RFSOPEN



RFSOPEN-NL



RFOOT

WIRELESS

- 868MHz
- 4 x AA alkaline batteries (supplied)
- Approximately 100,000 operations
- Green LED (HAND versions only) & bleep on activation
- Scratch resistant anti microbial acrylic label
- Battery saving design, unit will only transmit once if hand left on
- Activation area: HAND 68mm. TTO entire label
- Approx 15-20mm activation range (Touch free) HAND only versions
- Reinforced nylon housing
- Max 50m distance between the sensor and receiver
- IP65 rated



RTXHAND



RTXHAND-NT



RTXOPEN



RTXOPEN-NL



RSTXOPEN-NL



RFSTXOPEN

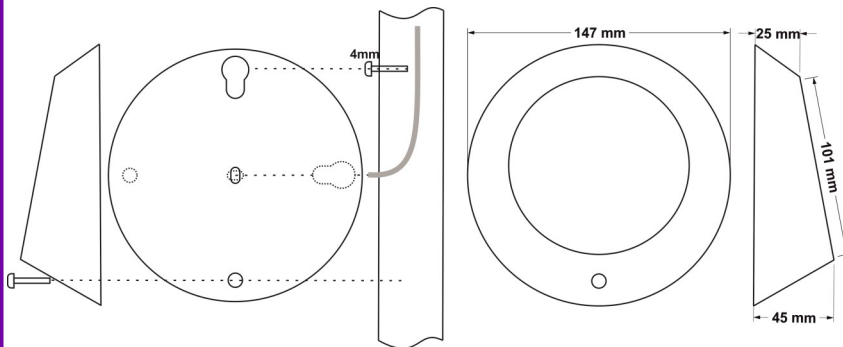


RFSTXOPEN-NL



RTXFOOT

ROUND SENSORS



Our antimicrobial round sensors offer protection against a range of bacteria including E. coli, MRSA, Salmonella and Legionella, as well as black mould growth, biofilm and fungi. Our acrylic signage is protected by [SteriTouch®](#) which means 99.9% of germs will not grow on them. We can now replicate metals including stainless steel & copper. Using our in house printer we are able to print faux stainless, making them more hygienic than the traditional stainless steel push pads due to them being protected by [SteriTouch®](#). We also design bespoke labels, which can include company names and logos.

