

dormakaba – PORTEO

Automatic Swing Door Drive Unit



The PORTEO offers a convenient way to open doors effortlessly and to close them automatically. With all the elegance of the dormakaba Contur design, the PORTEO is specifically suited to light doors, performing all the functions needed to make life just that little bit easier for all.

High-quality dormakaba technology makes the PORTEO particularly easy to operate – with minimum noise, high functional reliability and excellent application adaptability. The PORTEO is delivered ready-to-connect and offers much comfort and safety in conjunction with fast mounting thanks to its Plug & Go feature. The system is delivered as a complete package with slide channel and mounting plate. The drive operates within the low energy force parameters.

The PORTEO can be further functionalised with accessories to give even more operating convenience, user-friendliness and enhanced safety. In combination with an optional pushbutton and an electric strike, for example, the door can be simply opened with the push of a button. Use the hand-held transmitter “BRC-H” for even more convenient opening and closing. The PORTEO is the application for opening and closing doors the convenient way. Safe, reliable and easy to upgrade.

Standard function programs

- Power Assist Mode
- Push & Go
- Automatic Mode
- Permanent Open
- Obstruction recognition
- Anti-vandalism feature (deactivation of gear)

Benefits

- Easy opening and closing of swing doors up to widths of 1100mm and door-leaf weights of up to 100 kg
- One version for all four ways of mounting: hinge and opposite hinge side, lintel mounting or door-leaf mounting
- Extremely low installation height of just 60mm
- Compact dimensions 60 x 530 x 80 mm (H x W x D), particularly suitable for use in conjunction with narrow-stile and standard profile door systems
- Quiet operation
- Easy installation thanks to ready-to-connect Plug & Go function with mounting plate

Note - not suitable for fire and smoke doors

Technical Specification

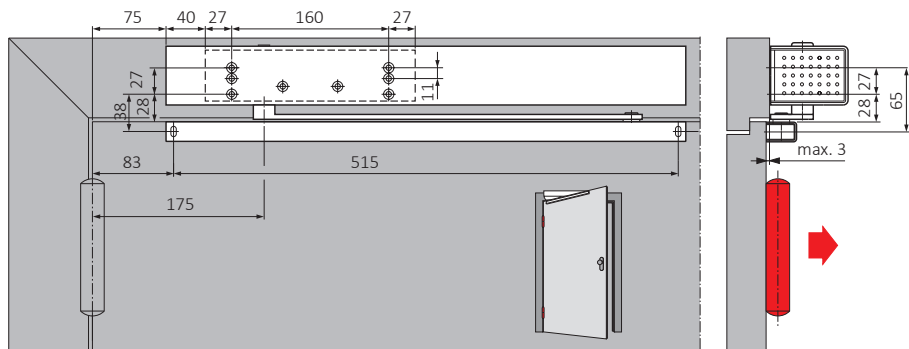
	PORTEO
Max Door Weights	100KG
Max Single Leaf Width	≤1100mm Interior Doors
Power supply	230V AC 50/60 Hz
Adjustable opening angle (max.)	110°
Opening time 0 – 90°	5 - 10 seconds
Closing time 90 – 0°	5 - 10 seconds
Adjustable hold open time	5 - 10 seconds
Power supply for accessories	24V DC 0.3A
Protection Level	IP20 Product
Dimensions mm (W x H x D)	530 x 60 x 80 mm

dormakaba – PORTEO

Lintel mounting

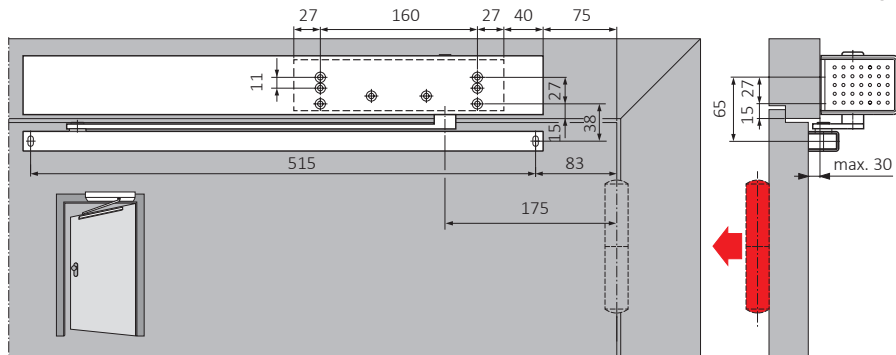
Lintel mounting on hinge side

(Example refers to left-handed (ISO 6) door; mirror image applies to right-handed (ISO 5) door)



Lintel-mounting on opposite hinge side

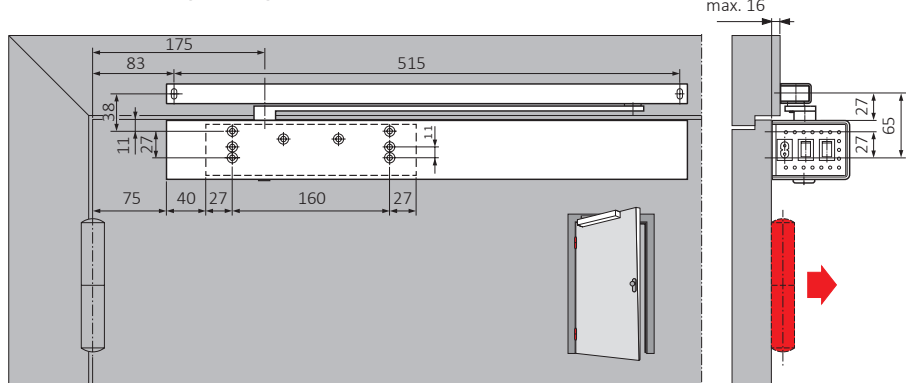
(Example refers to left-handed (ISO 6) door; mirror image applies to right-handed (ISO 5) door)



Door-leaf mounting

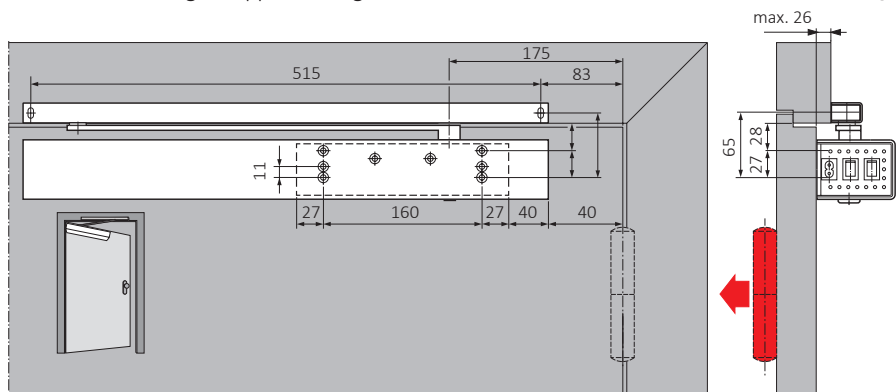
Door-leaf mounting on hinge side

(Example refers to left-handed (ISO 6) door; mirror image applies to right-handed (ISO 5) door)

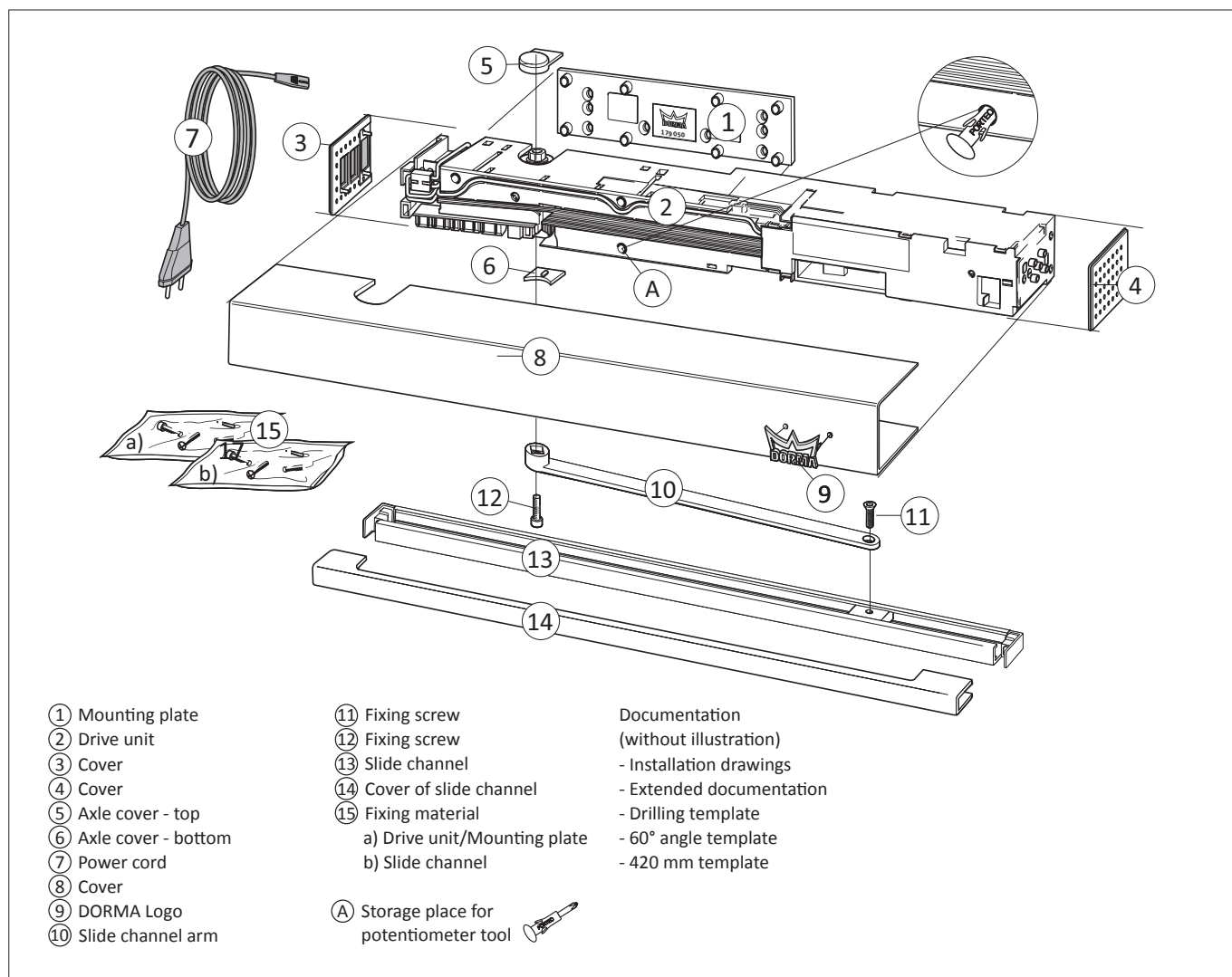


Door-leaf mounting on opposite hinge side

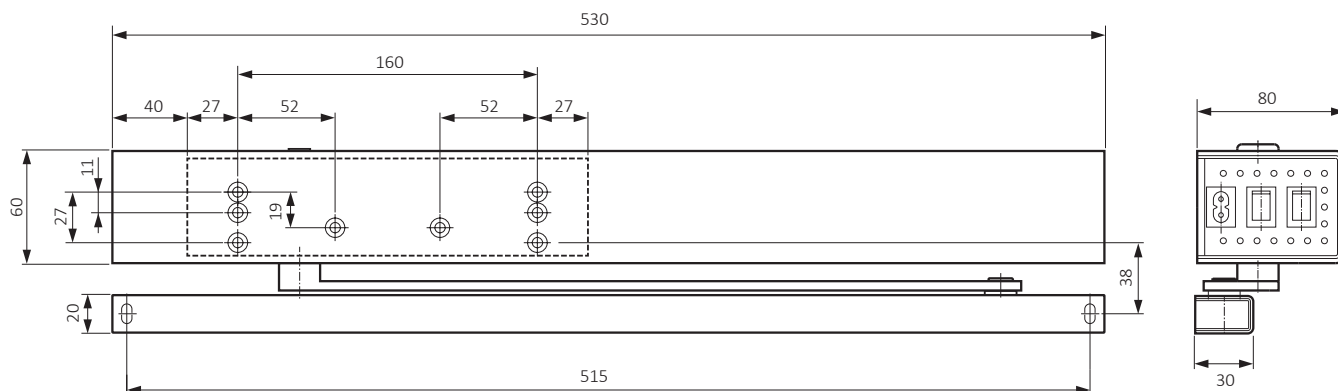
(Example refers to left-handed (ISO 6) door; mirror image applies to right-handed (ISO 5) door)



Unit Description



Dimensions

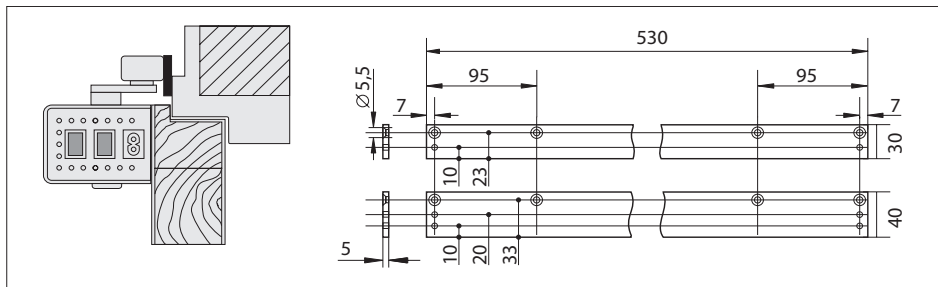


Accessories

The Porteo drive units are complimented by a range of accessories giving additional choices and features

Mounting plates, 30 mm (60041101) and 40 mm (60041201)

For mounting of slide channel at door frames that are not suitable for direct mounting.



Projecting arm (22002301)

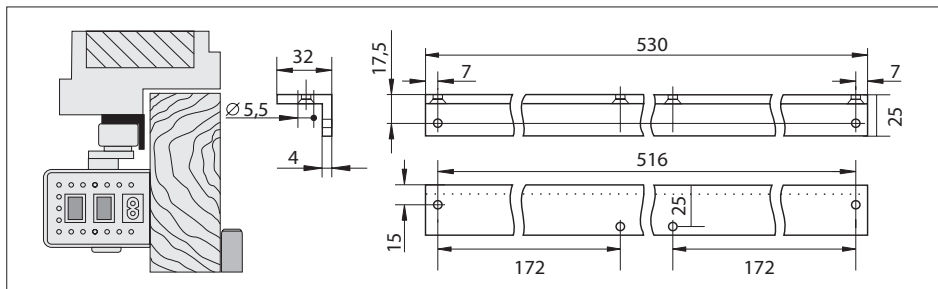
Lintel depths from 30 to 90 mm.



Ask for template
WN-No.: 057193-45532.

Angle bracket (60041001)

For installation of slide channel on opposite hinge side (push side) when it comes to door frames with deep lintel. Safety sensors (optional).



Glass door clamping rail (29275030)

In order to fix the slide channel to all-glass doors no processing of the glass is required. Only for lintel mounting on hinge side.

