



CP-110

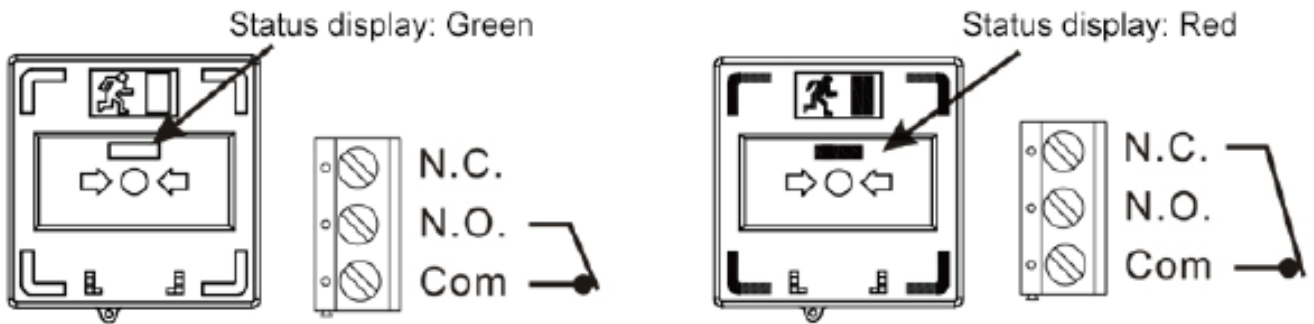


Model No.:	EB-20G (LED/Buzzer)
Power Supply:	DC 12V ~ DC 24V ffl5%
Operation current:	DC 12V: 18mA(standby) / 75mA(operation) ffl5% DC 24V: 11mA(standby) / 41mA(operation) ffl5%
Buzzer:	Set as silent, interval buzzing, or continuous buzzing.
Indicator:	Dual-color (red and green). Red indicator to set blinking, off or on.
Output:	N.O. , N.C & COM. Output (Maximum load of 125V/3A)
Material:	ABS, PC
Dimensions:	90L x 93W x 45H (mm)
Weight:	208g

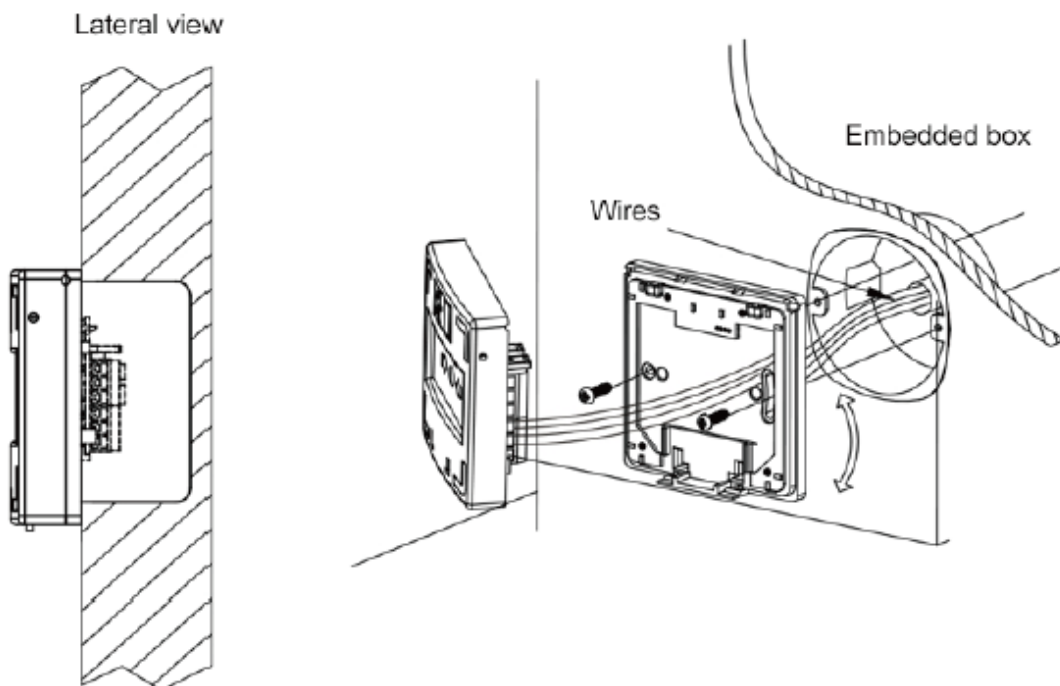
Features

- > Red or green case to select (it is suggested to select a red case for the fire alarm system and the green case for access control system).
- > Resettable design, EB-20G obvious indicators around the edges of the unit.
- > Press the pressing plate to set the red indicator.
- > Pressing plate with status (green and red) shown.
- > Reversionary key with non-slip design.
- > Input power range from DC12-24V to connect with all types of fire alarm systems.
- > Built-in buzzer status to set as silent, interval wailing, or continuous wailing. The Volume is adjustable.
- > Easy to assemble, the outer case without screws, 3 sets of output points to connect other equipment, embedded or surface installations to select.

Status



Embedded Installation



Surface Installation

