

Resetable Switch Call Point Installation Manual

※Features

1. Case has a variety of colors to select.
2. Resetable design, obvious indicators around the edges of the unit.
3. Press the pressing plate to enable the output function.
4. Pressing plate with status shown.
5. Reversionary key with non-slip design.
6. Built-in buzzer status to set as silent, interval wailing or continuous wailing. Volume is adjustable.
7. Input power range from DC12-24V (depending on the model) to connect with all types of fire alarm system.
8. Easy to assemble, outer case without screws, 3 set of output points to connect other equipment, embedded or surface installations to select.

※Accessories

Emergency switch x1

Key x1

M3x16 Screws x2

Indicator Additional function power input Output

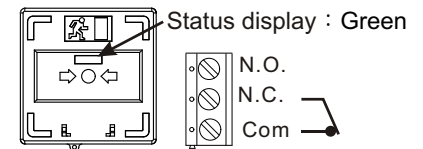
SCP- 1 0 0 A - G 3

[Model]
Indicator : 0/None, 1/ With LED
Power Input : None→12~24V, A→DC12~48V
Color : G/Green, R/Red, O/Orange, W/White
Output Point : 1、2、3 set
Additional Function : 0→without panel detection ·
 1→with panel detection

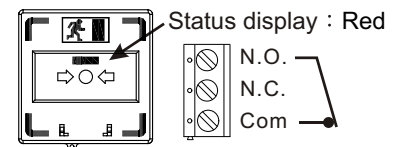
※Specifications

Item	Model	SCP-110/111	SCP-100	Note
Power supply		DC 12V~DC 24V	×	± 10%
Operation current		DC 12V/10mA(Standby)/50mA(Operation) DC 24V/11mA(Standby)/64mA(Operation)	×	± 10%
Buzzer		Set as silent, interval wailing or continuous wailing	×	
Indicator		Dual-color (red and green) . Red indicator to set blinking , off or on.	×	
Output		N.O.、N.C.& COM.Output (Maximum load of 125V/3A)		
Weight		SCP-100:192g / SCP-110:208g		
Dimensions		90mm(L)x93mm(W)x45mm(H)		
Material		ABS, PC(transparent part)		

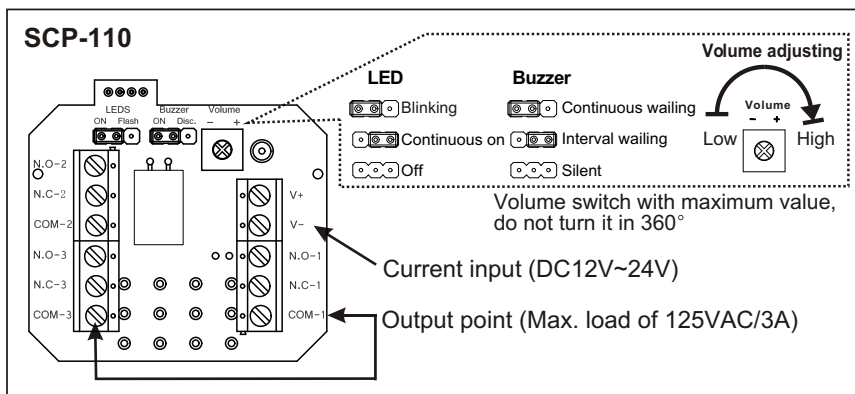
【Standby】



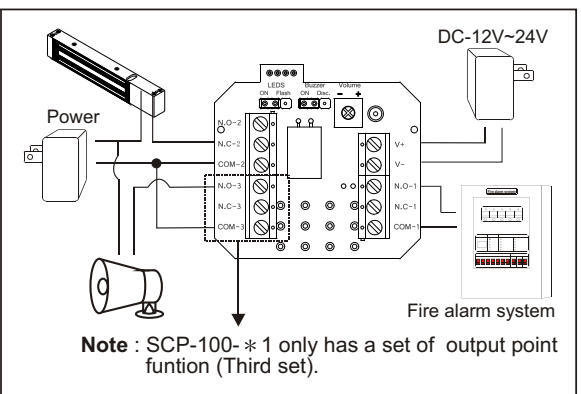
【Operation】



※Connections



※Wiring Diagram



※Attention before installation

⚠ Please press the pressing plate to make sure the states turns red before opening the front and middle covers in order to prevent the spring being popped out.

① Press

②

▲ Fixed holes embedded box as 60mm.

60mm

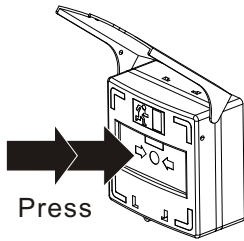
▲ Restricted terminal's aperture shown below.

φ2.6

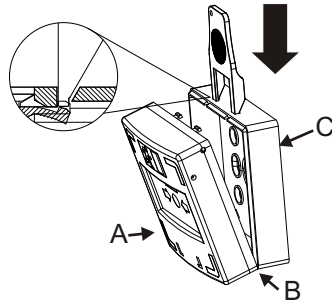
※ Installation

Surface Installation

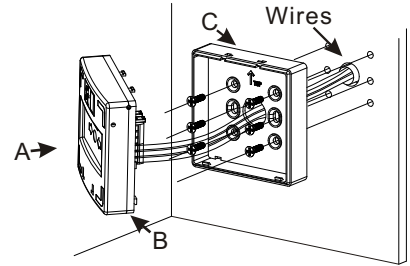
1.



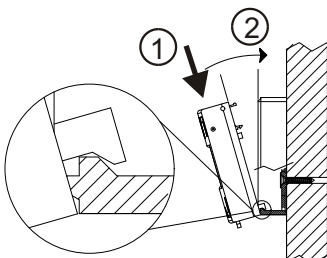
2. Use key to disassemble B and C fastenings.



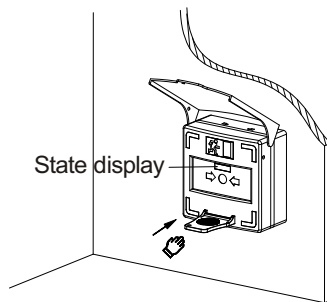
3. Fix bottom cover C and connect the wires



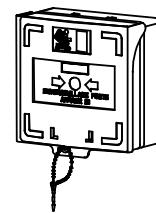
4. Fastening the unit as the diagram shown above.



5. Insert the key into the key hole. Pull the key out when the states turns green to complete the setting.

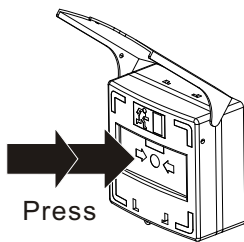


6. Cover the case and tie with a cable tie to prevent it from opening.

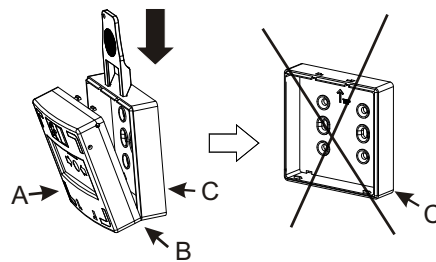


Embedded Installation

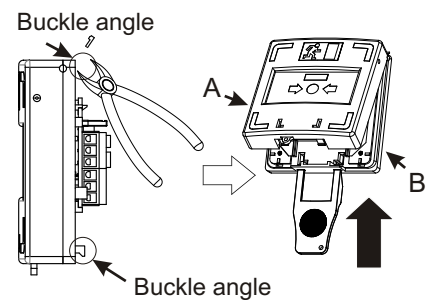
1.



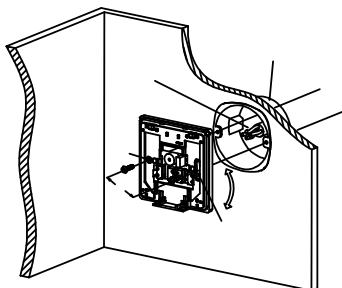
2. Use key to disassemble B and C fastenings. No bottom cover C needed for embedded installation.



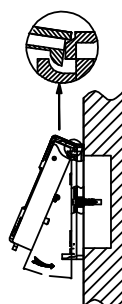
3. Use key to disassemble A and B fastenings. Clip the unnecessary buckle angles.



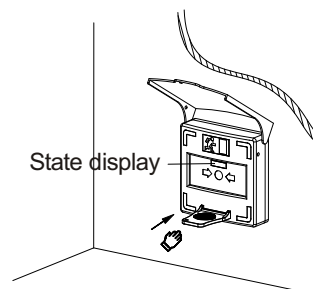
4. Fix middle cover B and connect the wires.



5. Fastening the unit as the diagram shown above.



6. Insert the key into the key hole. Pull the key out when the states turns green to complete the setting.



7. Tie it with a cable tie to prevent from pressing the button. It is suggested to remove the transparent panel if it is not tied with a cable tie.

