



# C Prox Ltd (inc Quantek)

Unit 11 Callywhite Business Park, Callywhite Lane, Dronfield, S18 2XP

+44(0)1246 417113 sales@cproxltd.com www.quantek.co.uk

## Wiegand Proximity Reader

### CP6-RX

### User Manual



#### 1. Description

The CP6-RX is a metal anti-vandal proximity reader with Wiegand output, suitable for installing indoors or outdoors and capable of reading EM, HID & Mifare cards & fobs.

#### 2. Packing list

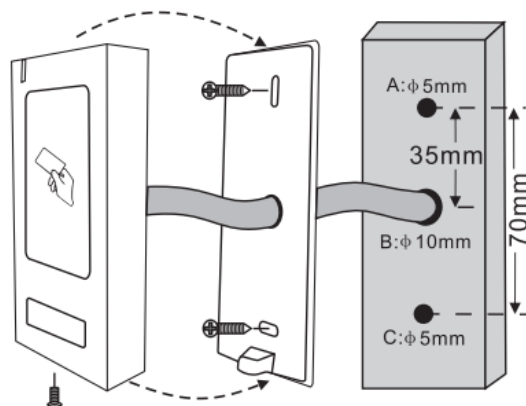
Name	Quantity
Reader	1
Manual	1
Security driver	1
Wall fixing plugs	2
Self tapping screws	2

#### 3. Specification:

- Operating voltage: 9-18Vdc
- Standby current: <25mA
- Card frequency: 125KHz (EM & HID) and 13.56MHz Mifare
- Output format: EM Wiegand 26 bits, Mifare Wiegand 34 bits, HID Wiegand 26-37 bits automatic
- Reading distance: 1-5cm
- Operating temperature: -40 to +60 °C
- Waterproof rating: IP66
- Pre-wired with 50cm cable
- Dimensions: 103 x 48 x 19mm

## 4. Installation

- Unscrew the backplate from the reader and use the backplate to mark the 2 fixing holes (A & C) and the cable entry hole (B).
- Drill the holes using the correct sized bit.
- Insert the wall plugs and fix the back plate to the wall with 2 screws.
- Thread the cable through hole B and make the connections (see below).
- Attach the unit to the back plate.



## 5. Wiring

Colour	Function	Notes
Red	Power	+DC (9-18V)
Black	GND	Ground
Green	D0	Data 0
White	D1	Data 1
Brown	LED	Green LED light control
Yellow	Buzzer	Buzzer control

Connection Diagram

