



Codelock Installation – Back-to-back (one each side of the door)

This document describes one method of installing Vanderbilt codelocks when one is installed each side of the door. This is sometimes known as back-to-back, or entry/exit.

It is only necessary to wire the lock in to the one codelock, and then we use the lock relay of the secondary unit to trigger the first unit, via the Exit Button input.

This instruction applies to all codelocks from Vanderbilt – V42, V44, ACT5/ACT5e and ACT10.

Table of content

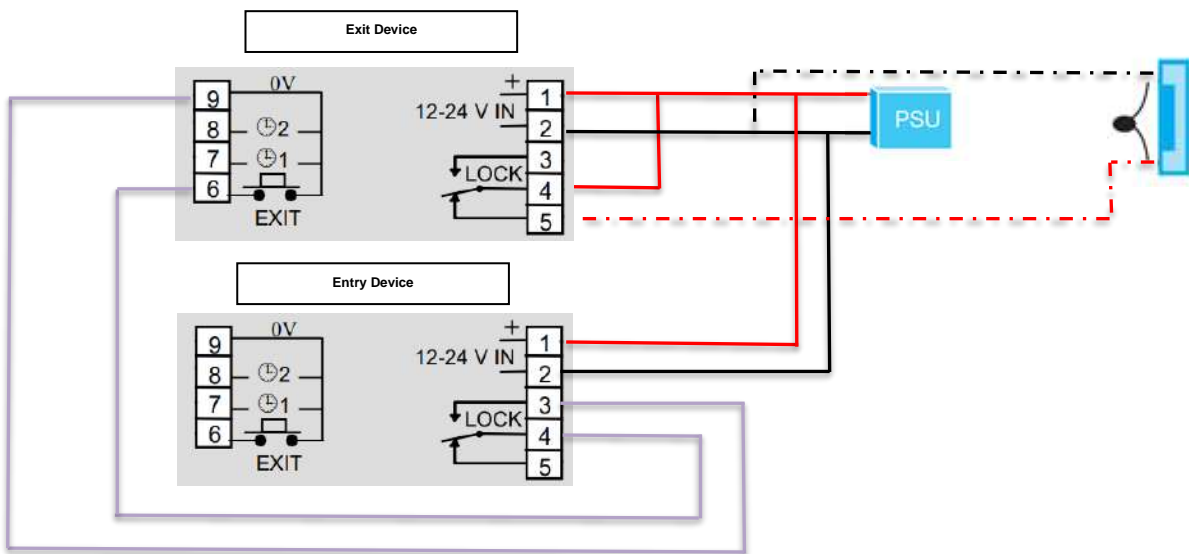
1. V42 Wiring	2
2. V44 Wiring	3
3. ACT5/ACT5e Wiring	4
4. ACT10 Wiring	5

SUPPORT INFORMATION

1. V42 Wiring

The below wiring illustration is based upon the use of a maglock, and as such is connected to the N/C side of the Lock Relay.

In this configuration, there is constant power supplied to the lock until the relay is activated (correct code entry) and then the power is dropped, thus releasing the door.



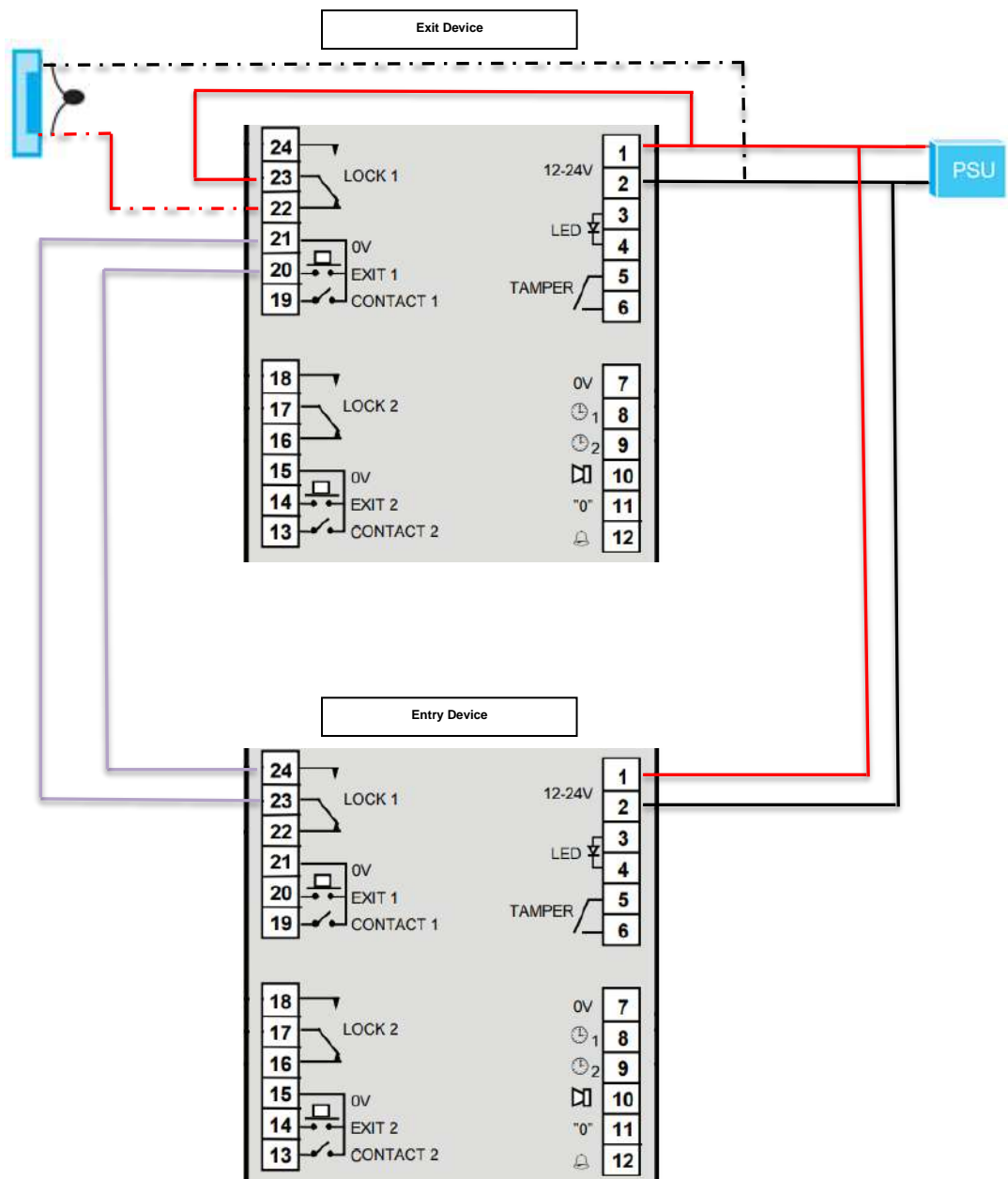
If a strike lock or another lock that requires power to activate is used, then we would take the connection from terminal 5 and put it in to terminal 3 instead.

SUPPORT INFORMATION

2. V44 Wiring

The below wiring illustration is based upon the use of a maglock, and as such is connected to the N/C side of the Lock Relay.

In this configuration, there is constant power supplied to the lock until the relay is activated (correct code entry) and then the power is dropped, thus releasing the door.

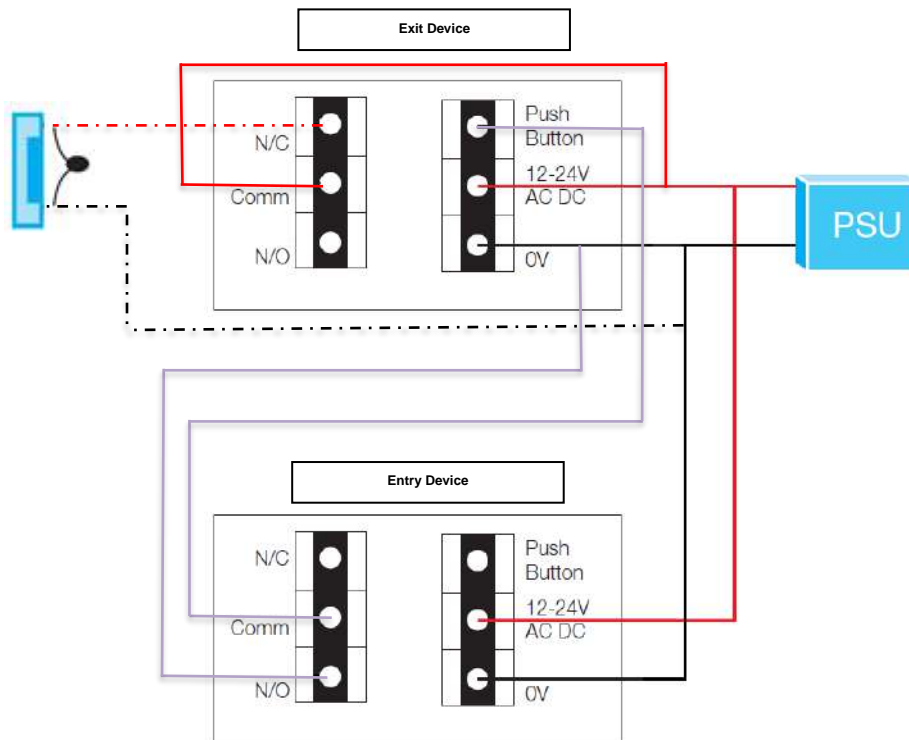


If a strike lock or another lock that requires power to activate is used, then we would take the connection from terminal 22 and put it in to terminal 24 instead.

3. ACT5/ACT5e Wiring

The below wiring illustration is based upon the use of a maglock, and as such is connected to the N/C side of the Lock Relay.

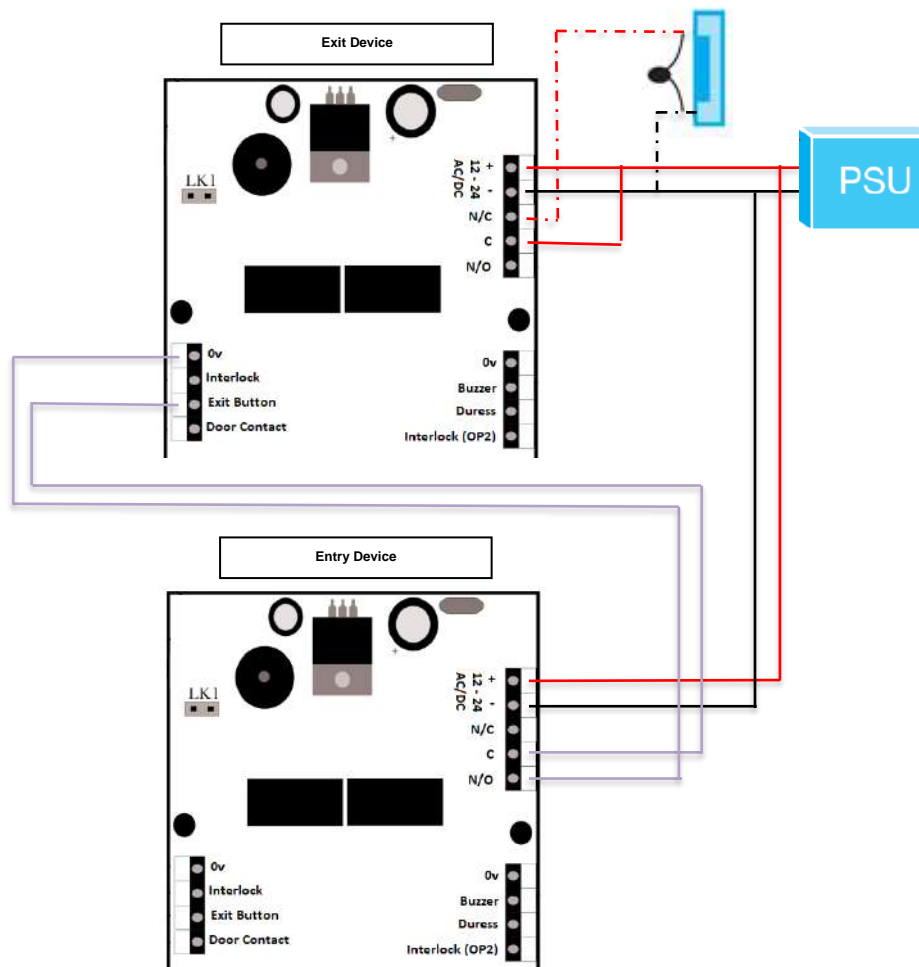
In this configuration, there is constant power supplied to the lock until the relay is activated (correct code entry or presentation of valid tag) and then the power is dropped, thus releasing the door.



If a strike lock or another lock that requires power to activate is used, then we would take the connection from the N/C terminal and put it in to the N/O terminal instead.

4. ACT10 Wiring

The below wiring illustration is based upon the use of a maglock, and as such is connected to the N/C side of the Lock Relay. In this configuration, there is constant power supplied to the lock until the relay is activated (correct code entry or presentation of valid tag) and then the power is dropped, thus releasing the door.



If a strike lock or another lock that requires power to activate is used, then we would take the connection from the N/C terminal and put it in to the N/O terminal instead.

SUPPORT INFORMATION



If you have any questions, please contact our Technical Competence Centre.
Contact details can be found on our website.