

M8 / ML8 RS3 KIT Quick Start Guide

Please note these are simplified step by step instructions.
It is important that you read in conjunction with the manufacturer's manuals.

Suitable for

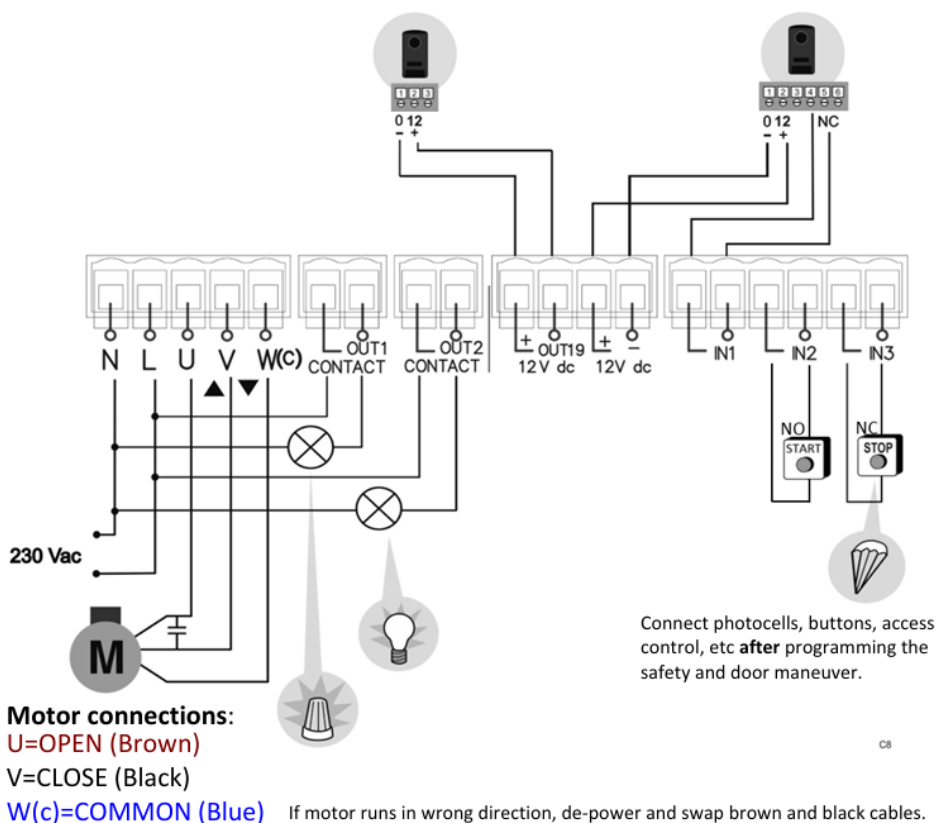
Tubular motors with an RPM of at least 15. 17 rpm is optimal.

Doors up to 4 metres wide.

Doors with minimum 2mm movement tolerance between the last and penultimate slat.

Installation

1. Screw the M8/ML8 control panel box securely to the wall.
2. Wire up the unit, including the 230V power supply and the motor, as shown below.
3. Power on the unit.



4. Attach the RS3T868 or RS3TGL868 (transmitter) horizontally to the middle of the last moving part on the shutter/door. Do not overtighten screws.
5. Check that the door runs in the correct direction. If it doesn't, de-power and swap the brown and black motor wires.

Program the safety transmitter into the receiver card

1. Press the blue prog button receiver card for two seconds until you hear a beep.
2. Within 10 seconds press the Prog button on the RS3 T868/RS3 TGL868 transmitter, the receiver will beep to confirm.
3. Press the blue prog button on the receiver card again, the receiver will beep twice and exit programming. (If you wait 10-15 seconds it will come out of programming automatically).

Positioning the door

1. The door needs to be fully closed to begin programming the movement. Press and hold the CLOSE button on the circuit board, after a few seconds the door will start to close in deadman.

Program the door movement

This teaches the control panel the run time and learns the safety.

1. With the door fully closed, press the white PROG button for 3 seconds until the red LED above it turns on.
2. Press the START button.
3. The door will open for 2 seconds, then close.
4. It will then open fully.
5. When the door has opened fully, to set the autoclose time, wait the amount of time you want for autoclose and then press the START button.
If autoclose is not being used, you can press START as soon as the door has fully opened.
(N.B dipswitch 1 must be turned on enable autoclose, this can be done before or after this procedure).
6. The door will now fully close.
7. It will then automatically perform a full opening and closing manoeuvre to program the RSENS system.
8. When this has been completed the red LED will go off and the control unit will come out of programming mode automatically.

Test that the door responds to impacts when closing, do this at various points along the door and at various points of closing. Also check that it closes without giving false activations. Be aware that the thermal cutout of the **motor** may activate. If it does, wait half an hour for it to cool down before continuing.

Adjusting the sensitivity

Change the position of the potentiometer on the safety transmitter. 0 is the most sensitive, 4 is the least sensitive (5-9 should not be used). **The transmitter must be reprogrammed into the receiver card each time it is changed.**

NOTE: The safety must always start from the fully open position.



Programming the safety transmitter & door movement video

Program the remotes

There are **2 possible configurations for the remotes**.

Configuration 1 sets the top button as a start button, it opens, stops and closes the door. The bottom button is set as deadman close, so you can close the door if it is part way open or if there is ever a problem with the safety.

1. Press the red radio PROG button until the C1 LED turns on.
2. Press the top button of your remotes one after another. The receiver will beep to confirm each time.
3. Press and hold the red radio prog button until the C2 LED turns on.
4. Press the bottom button of your remotes one after another. The receiver will beep to confirm each time.
5. Press the red radio PROG button, the receiver will beep twice and exit programming.

Configuration 2 uses the top button to open the door, and the bottom button to close it.

1. Press the red radio PROG button until the C3 LED turns on.
2. Press the top button of your remotes one after another. The receiver will beep to confirm each time.
3. Press and hold the red radio prog button until the C4 LED turns on.
4. Press the bottom button of your remotes one after another. The receiver will beep to confirm each time.
5. Press the red radio PROG button, the receiver will beep twice and exit programming.



Programming transmitters video tutorial

Notes:

- Details of the outputs, dipswitches, inputs & radio inputs can be found on the sticker on the inside of the control panel cover.
- The safety must always start from the fully open position. If the door is part way open and you press close, it will open and then close.
- 4 beeps every 20 seconds from the receiver card indicates low batteries in the Radiosens transmitter. Replace with 2 x AA.
- Faint flashes on the remote controls indicate low batteries. Replace with 1 x CR2032.