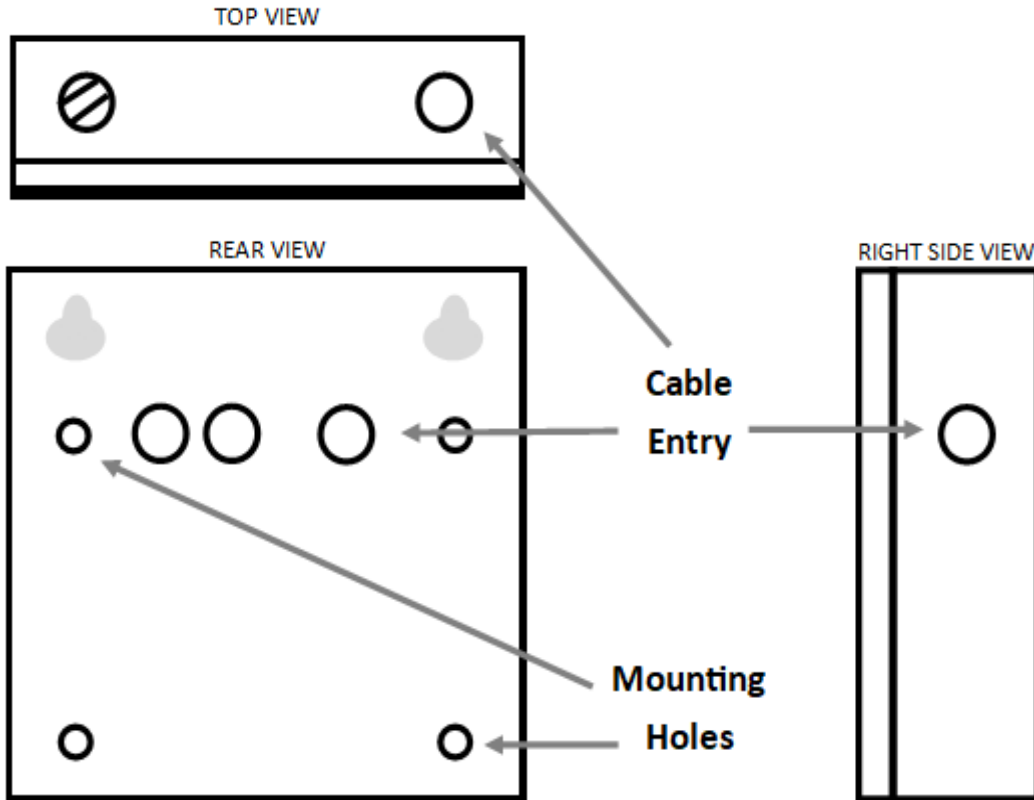


# PSU-BB-24V-3A

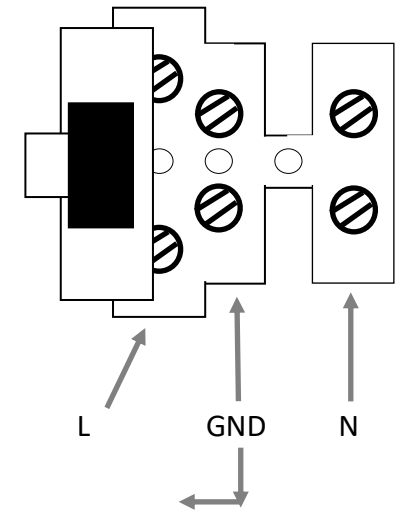
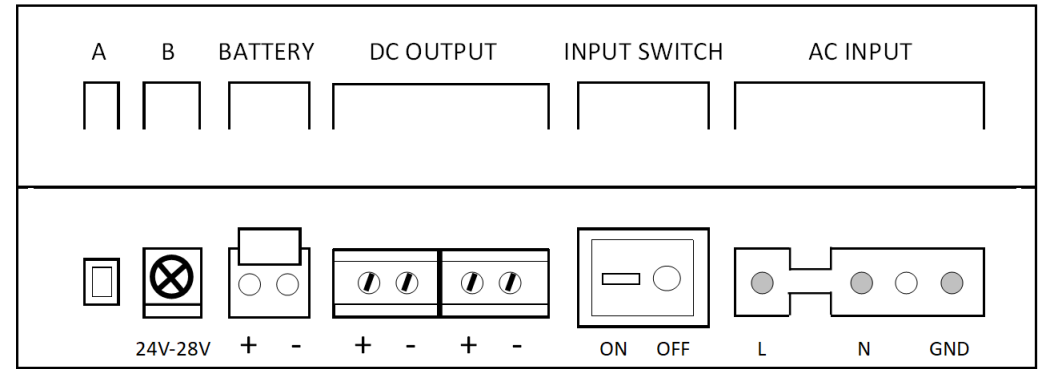
## USER GUIDE

### Mounting

The PSU must be mounted firmly and securely.



### Terminal Description



LED Description		
1 RED		AC POWER
2 GREEN		DC OUTPUT
3 AMBER		BATTERY CHARGE
4 RED		BATTERY LOW VOLTAGE

Situation	1 RED	2 GREEN	3 AMBER	4 RED
Battery charging	On	On	Flash	Off
Battery fully charged	On	On	On	Off
No AC, $V\text{-battery} > 22 + 0.3V$	Off	On	On	Off
No AC, $21 + 0.3V < V\text{-battery} < 22 + 0.3V$	Off	On	On	On
No AC, $V\text{-battery} < 21 + 0.3V$	Off	Off	Off	Off

