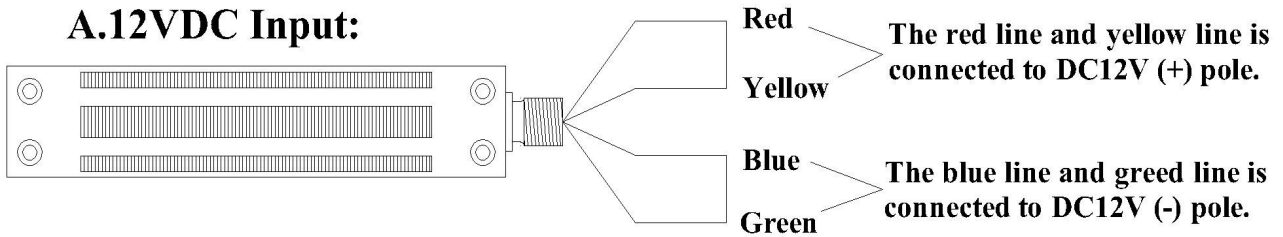




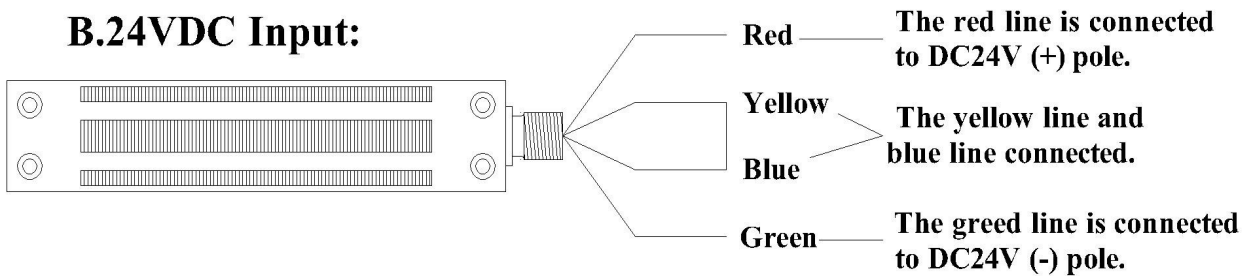
# CP280W User Manual

<b>Operating Voltage :</b>	<b>DC12V</b>	<b>DC24V</b>
<b>Operating Current:</b>	<b>500mA</b>	<b>250mA</b>

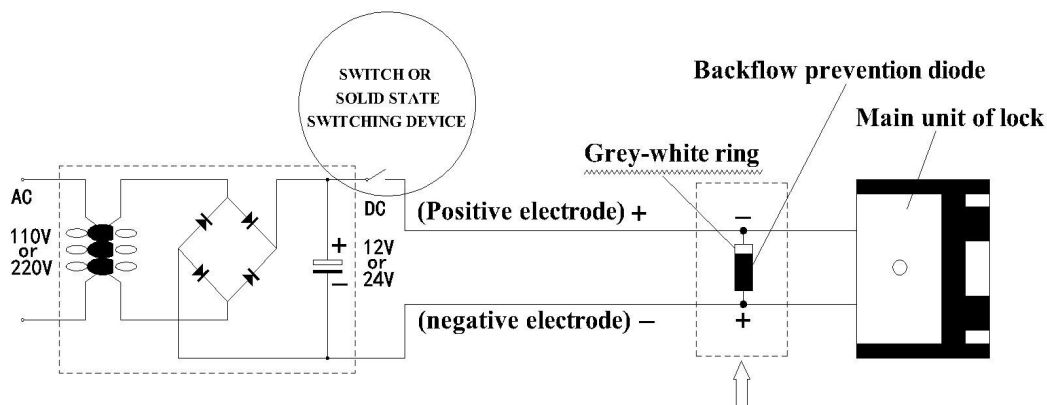
## A.12VDC Input:



## B.24VDC Input:



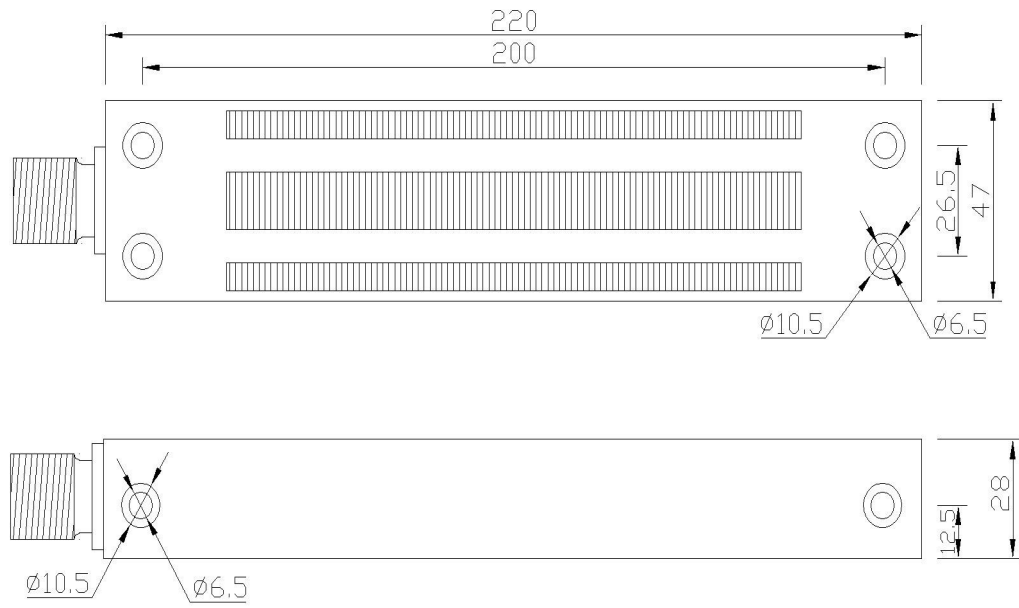
## C. Connection method of backflow prevention diode:



### Connection method of backflow prevention diode:

- A. Connect the negative electrode of diode with the positive electrode of lock body.
- B. Connect the positive electrode of diode with the negative electrode of lock body.

## Magnetic lock dimension drawing



## Adsorption board size chart

