



Praetorian Guard

IP Video Intercom



Long Range Antenna * (2.4GHz)
(up to 60m working range depending on
router type and location)!



Existing Wi-Fi Hub



New Praetorian APP



- **Speak to your visitors from anywhere in the world.**
- Grant access remotely - Send a command to the gate motor via the app to open your gates etc.
- Keypad Codes – 24-7 / Timed / Temporary (Optional)
- No Touch Access - PROX Cards/ Tags - 24-7 / Timed / Temporary (Optional)
- Voicemail - Visitors can leave a video messages when unanswered.
- Multi-User - Add up to 8 maximum devices per Intercom ID. (incl ADMIN user. 4 maximum for optimal performance.)
- Connect via WiFi, LAN Cable or 4G Access Point (Sold Separately) (Dualband WIFI. 2.4 & 5.8G wifi (802.11 b/g/n/a/c)
- Coin Cell Battery to retain important system settings while a device is off. E.g. date-stamp.
- Volume of external speaker adjustable at the call-point.

* 2.4GHz Antenna Incl, 5.8GHz available to purchase separately.

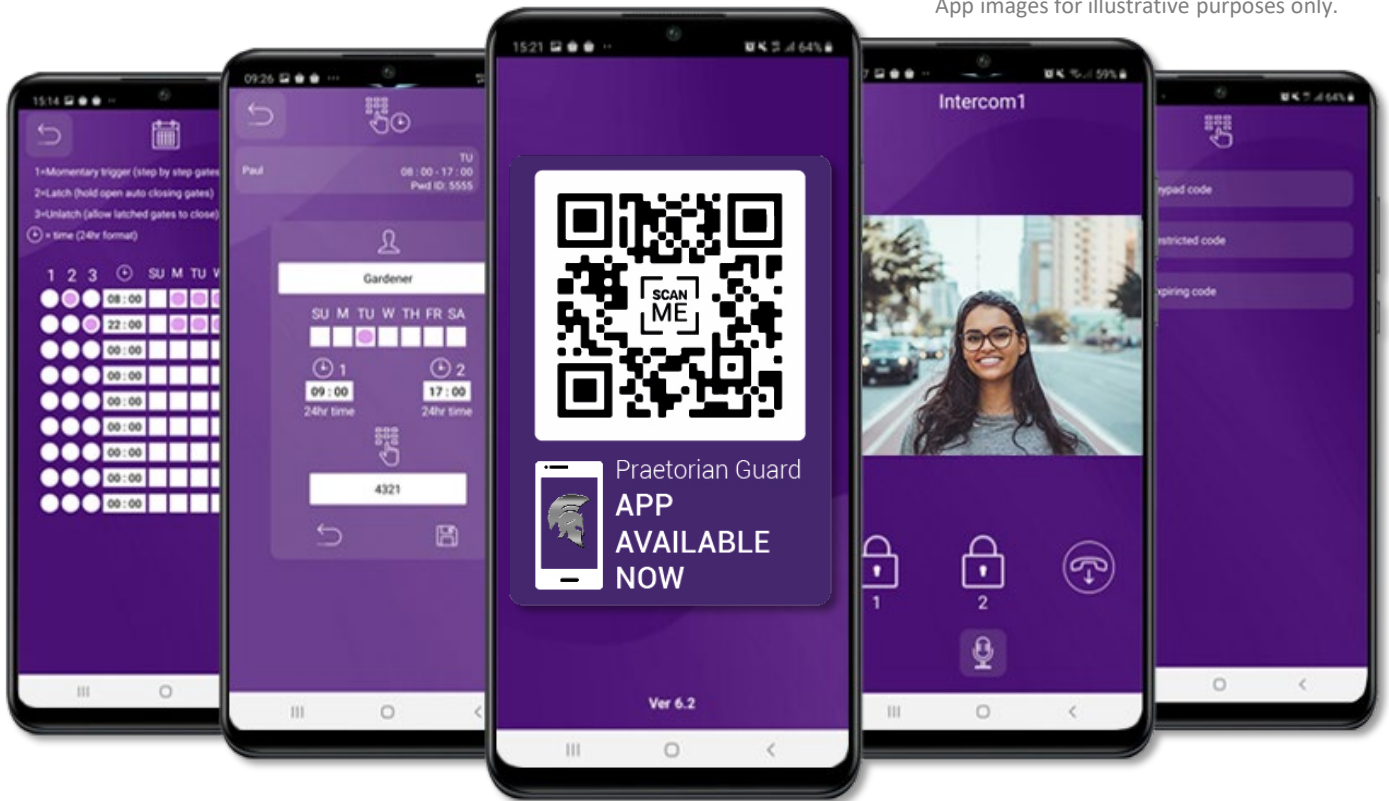




NEW APP

Installer / User App

App images for illustrative purposes only.



Events log for Keypad codes, Calls, Voicemails, Prox ID's. (past 100)



7-day schedule for auto relay opening.



Notifications - Motion Sensor is Triggered or Gates opened / closed via app, keypad or PROX.



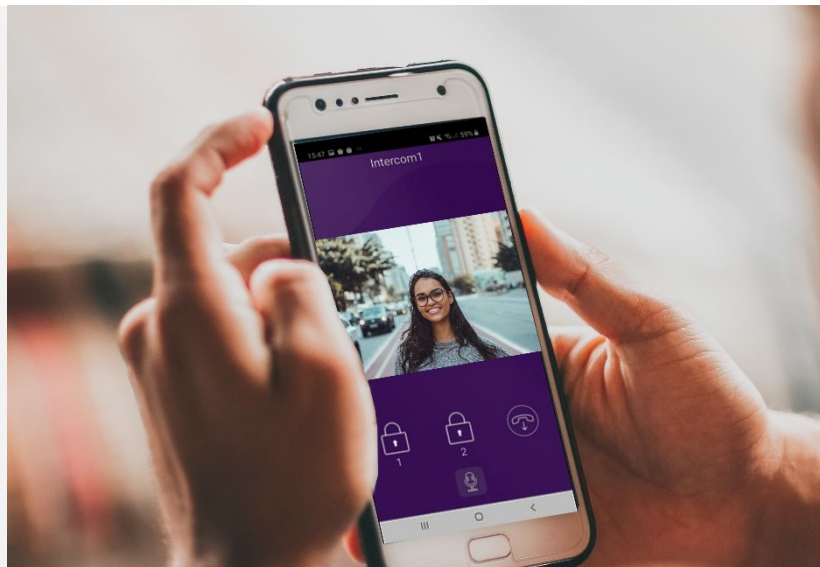
Sync device time to device.



Prox & Keypad codes added via App.



View your camera in full screen mode.





Security screw access



HD camera with video motion sensor



Colour camera with night vision and IR cut filter

Infra-red night vision illuminators



Waterproof Mylar 1.5W speaker



Illuminated IP67 push button
Optional illuminated keypad.



High gain Wi-Fi antenna

60 degree transmission to concentrate & extend range. Weatherproof for outdoor use.



2.4GHz Directional Antenna with 2m RG174 cable with SMA male connector.





GENERAL

Front Panel	<p>Portrait Orientation AB/ABK = 3mm Acrylic on Architectural Design Marine Grade Stainless Steel BS316 Front Plate. AS/ASK = 3mm Marine Grade Stainless Steel BS316 on Architectural Design Marine Grade Stainless Steel BS316 Front Plate. FS/FSK = Flush Design Marine Grade Stainless Steel BS316 Front Plate. IMP/IMPk = 3mm Acrylic on Imperial Design Marine Grade Stainless Steel BS316 Front Plate. Modular = Powder Coated Marine Grade Stainless Steel BS316 Front Plates with 3mm Acrylic on Design Marine Grade, Stainless Steel BS316 Modular Plates. Landscape Orientation PED = Pedestal Surface Mount</p>
Hood Cover (MOD, IMP(K), PED versions)	Powder coated Aluminium
Mounting Housing (Backbox)	Marine Grade Stainless Steel BS316
Mounting Type	Surface-Mounted with backlighting, Flush-mounted version sold separately
Call Button	Stainless-steel button with illuminated LED Ring
Weatherproof	IP55
Approvals	CE, FCC
Dimensions	See Overview of Call Points
Operating Temp.	-25 to +55°C / -13 to 131°F
Power Supply	24V DC
Power Consumption	<p>IP PCB w/Keypad & Prox Standby = 80mA Operating = 300mA</p>
Solar Power	45Watt Solar Panel (minimum) 2x 12V 15AH Batteries connected in series to provide 24V output
Connectors	LAN (RJ45) 2 x Bistable latching relay, max. 1-28V DC/AC, 1A, e.g. for magnetic door lock External input for push to exit button 24V DC input (+, -)
System Requirements	<p>Mobile device: Newest iOS on iPhone/iPad, newest Android on Smartphone/Tablet Internet: High-Speed Landline Broadband Internet connection, DSL, cable or fibre optic, no socks or proxy server. Min. suggested upload speed of 1.5mbps, Network: Ethernet Network, with DHCP / WIFI 2.4GHz/5.8GHz (with applicable antenna)</p>
Recommended Installation Height	Camera lens should be at a min. height of 145 cm (57 in). Before the installation please determine your optimal installation height.
Warranty	See www.aesglobalonline.com/warranty

THIRD-PARTY INTEGRATIONS

Partners	N/A - Coming Soon
API	N/A - Coming Soon

KEYPAD MODULE

Power Supply	24V DC
Steel Keypad Module	<p>12 Square Silicon Keys Blue illumination Keypad Codes configurable via App, Slave connection to allow up to an additional 8 slave devices</p>
Silicon Keypad Module	<p>12 Round Silicon Keys Blue illumination Keypad Codes configurable via App, Slave connection to allow up to an additional 8 slave devices</p>

VIDEO

Camera	HD 720p, dynamic (VGA – HD)
Lens	120° (D), 109° (H), 65° (V) IR-capable
Display Resolution	<p>Switchable in the app by the Admin user. HD resolution: 1280*720 SD resolution: 640*480</p>
Video Codec	H264
Night-Vision	Yes, light sensor, automatic IR-cut filter, 5 Infrared LEDs
Storage	<p>On-Board Micro SD Card (16GB included) Max read capacity 32GB Estimated capacity based on 16GB: 5,592 Video Clips (3MB) {AVI.} 33,500 images (0.5MB) {JPG} Supports Hot Swapping. Auto overwrites oldest data at 80% capacity FAT32 Formatting</p>

MOTION SENSOR

Type	Active
Detection Type	<p>Digital (Pixel-based) Changes of pixilation. This is processed by the CPU identifying any major/minor changes in pixels that is defined by a predetermined algorithm.</p>
Range	>5m, depends on environment, distance is fixed

AUDIO

Audio Components	Speaker and microphone, noise reduction and echo cancellation (ANR, AEC)
Audio Streaming	Two-way, full duplex & half-duplex (switchable in-app)
Audio Codec	PCM/ARAW

NETWORK

WiFi	IEEE 802.11a/b/g/n/ac
WiFi Security	WPA / WPA2 / WPA3
Frequency Range	2.4GHz-2.4385GHz; 5.15GHz-5.845GHz
Ethernet	IEEE 802.3
Supported Protocols	HTTP, HTTPS, SSL/TLS, Bonjour, DNS, RTSP, RTP, TCP, UDP, RTCP, ICMP, DHCP, ARP



IP MODULAR Intercom



PRAE-IP-MOD

1x1 Modular call panel with *high gain Wi-Fi* antenna. Button with modern blue lighting.



PRAE-IP-MOD-KP

1x2 Modular call panel with keypad and *high gain Wi-Fi* antenna. Keypad/button with modern blue lighting.



PRAE-IP-MOD-PX-KP

1x2 Modular call panel with **keypad** and **prox** reader. *High gain Wi-Fi* antenna. Keypad/button with modern blue lighting.



PRAE-IP-MOD-PX

1x2 Modular call panel with **prox** reader and *high gain Wi-Fi* antenna. Button with modern blue lighting.



MON-11

Wall mount touch screen monitor compatible with the **Praetorian system**. Can be purchased as an added accessory to all above kits.



PRAE-IP-IMP

(Kit includes speech panel, antenna, power supply and install manual)



Contemporary cool-white illuminated buttons.
Marine grade, brushed stainless steel construction with gloss acrylic trim and powder coated aluminium hood.

PRAE-IP-IMP-MONITOR1

(Kit includes WIFI panel, antenna, 1x MON-11 Monitor and install manual)



PRAE-IP-AB

(Kit includes speech panel, antenna, power supply and install manual)



Modern blue back lighting effect.
Marine grade, brushed stainless steel construction with gloss acrylic trim.

PRAE-IP-AB-MONITOR1

(Kit includes WIFI panel, antenna, 1x MON-11 Monitor and install manual)



PRAE-IP-AS

(Kit includes speech panel, antenna, power supply and install manual)



Architectural model with contemporary cool-white illuminated buttons.
Marine grade, brushed stainless steel construction.

PRAE-IP-AS-MONITOR1

(Kit includes WIFI panel, antenna, 1x MON-11 Monitor and install manual)





PRAE-IP-PX-PED

(Kit includes speech panel, antenna, power supply and install manual)



PRAE-IP-PX-PED-MONITOR1

(Kit includes WIFI Panel, antenna, 1x MON-11 Monitor and install manual)



Pedestal mountable & modern blue illuminated buttons. Marine grade, brushed stainless steel construction with gloss acrylic trim and powder coated aluminium hood.

Flush Mount Options

PRAE-IP-FS

(Kit includes speech panel, antenna, power supply and install manual)



PRAE-IP-FS-MONITOR1

(Kit includes WIFI panel, antenna, 1x MON-10 Monitor and install manual)



Flush Mount marine grade, brushed stainless steel construction. Contemporary cool-white illuminated buttons.

PRAE-IP-FB

(Kit includes speech panel, antenna, power supply and install manual)



PRAE-IP-FB-MONITOR1

(Kit includes WIFI panel, antenna, 1x MON-10 Monitor and install manual)



Flush mount marine grade, brushed stainless steel construction with gloss acrylic trim. Modern blue lighting.



PRAE-IP-IMPK

(Kit includes speech panel, antenna, power supply and install manual)



PRAE-IP-IMPK-MONITOR1

(Kit includes WIFI Panel, antenna, 1x MON-11 Monitor and install manual)



Marine grade, brushed stainless steel construction with gloss acrylic trim and powder coated aluminium hood. Contemporary cool while illuminated buttons.
Prox panel: PRAE-IP-PX-IMPK

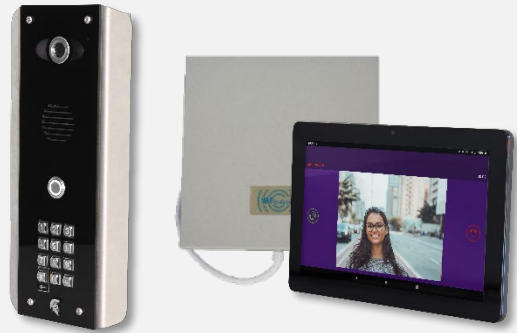
PRAE-IP-ABK

(Kit includes speech panel, antenna, power supply and install manual)



PRAE-IP-ABK-MONITOR1

(Kit includes WIFI Panel, antenna, 1x MON-10 Monitor and install manual)



Modern blue back lighting effect.
Marine grade, brushed stainless steel construction with gloss acrylic trim.
Prox panel: PRAE-IP-PX-ABK

PRAE-IP-ASK

(Kit includes speech panel, antenna, power supply and install manual)



PRAE-IP-ASK-MONITOR1

(Kit includes WIFI Panel, antenna, 1x MON-10 Monitor and install manual)



Architectural model with contemporary cool-white illuminated buttons.
Marine grade, brushed stainless steel construction.
Prox panel: PRAE-IP-PX-ASK



PRAE-IP-KP-PED

(Kit includes speech panel, antenna, power supply and install manual)



PRAE-IP-PX-PED-MONITOR1

(Kit includes WIFI Panel, antenna, 1x MON-11 Monitor and install manual)



Marine grade, brushed stainless steel construction with gloss acrylic trim and powder coated aluminium hood. Modern blue illuminated buttons.
Prox panel: PRAE-IP-PED-PX

Flush Mount Options

PRAE-IP-FSK

(Kit includes speech panel, antenna, power supply and install manual)



PRAE-IP-FSK-MONITOR1

(Kit includes WIFI Panel, antenna, 1x MON-11 Monitor and install manual)



Flush Model with contemporary cool-white illuminated buttons.
Marine grade, brushed stainless steel construction.
Prox panel: PRAE-IP-PX-FSK

PRAE-IP-FBK

(Kit includes speech panel, antenna, power supply and install manual)

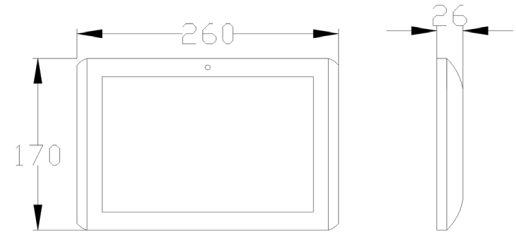


PRAE-IP-FBK-MONITOR1

(Kit includes WIFI Panel, antenna, 1x MON-11 Monitor and install manual)



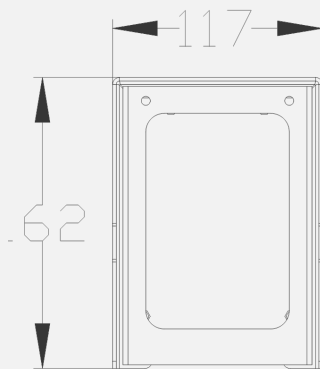
Flush model with modern blue lighting.
Marine grade, brushed stainless steel construction with gloss acrylic trim.
Prox panel: PRAE-IP-PX-FBK



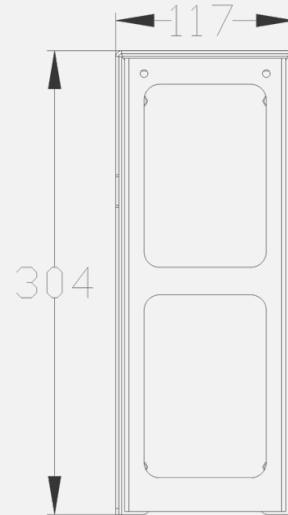
MON-11

- Wall mount touch screen monitor (1280x800 Resolution), compatible with the **Praetorian system**.
- 10.1 inch screen IPS LCD android screen.
- Wifi, Ethernet & Bluetooth connections.
- POE supplied (12V DC can be purchased separately)
- Complete with both wall mount bracket and desk stand.
- Android OS (8.1) with Praetorian app pre-loaded.
- RK3288, Quad-core cortex A17, 1.6G.

Call Panel Dimensions

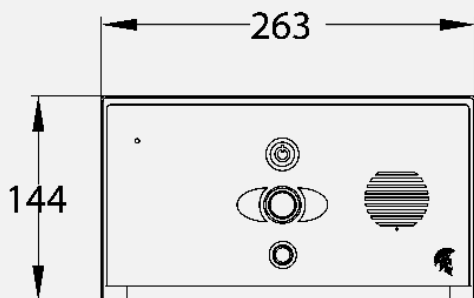


MOD-1X1 (MODULAR)

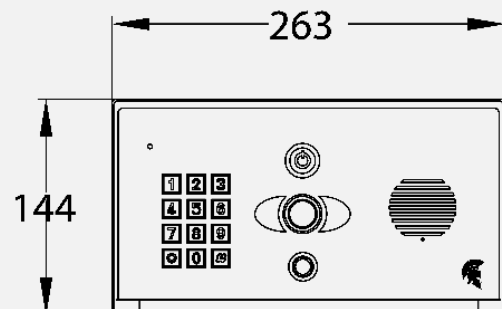


MOD-1X2 (MODULAR)

PRAE-IP-PED



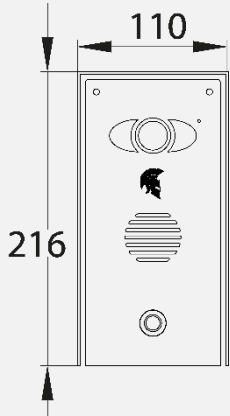
PRAE-IP-KP-PED



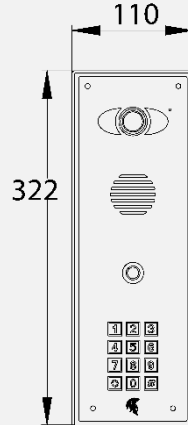


Call Panel Dimensions

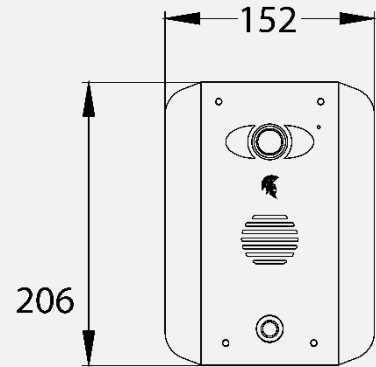
PRAE-IP-IMP Call Panel



PRAE-IP-IMPK Call Panel



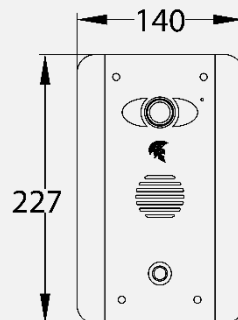
PRAE-IP-AB & AS Call Panel



PRAE-IP-ABK & ASK Call Panel



PRAE-IP-FB & FS Call Panel



PRAE-IP-FBK & FSK Call Panel

