

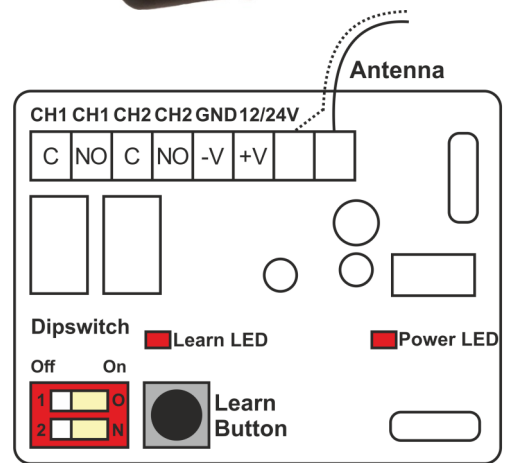


C Prox Ltd (inc Quantek)

Unit 11 Callywhite Business Park, Callywhite Lane, Dronfield, S18 2XP
+44(0)1246 417113 sales@cproxltd.com www.quantek.co.uk

RX-2 Instructions

The RX is designed to work with all wireless C Prox touch sensors, handheld and desk mount remotes.



Specification:

- 12/24Vdc
- 868MHz
- 2 channel
- Clean normally open contacts. Max load 1A @ 24Vdc (5A on RX-2-5A)
- Momentary/bi-stable selectable relays
- 200 code memory
- Dimensions: 65 x 50 x 30 mm

Installation:

1. The receiver is designed for internal use only. If used externally it needs to be housed in a waterproof enclosure.
2. Before making any connections ensure that power to the equipment you are connecting to is switched off.
3. Remove cover and connect 12/24Vdc to the marked terminals, ensure polarity is correct way round.
4. Wire relay outputs to the equipment as required.
5. Switch on power, the red power LED will light up if done correctly.
6. Conduct programming procedure as per below.
7. Set dip-switches appropriately and replace cover.
8. Do not cut the single white antenna wire. For maximum performance keep away from mains cables.

Touch sensor programming:

1. Press and release the learn button, the learn LED will light up for 15 seconds.
2. During this time, activate the touch sensor. The learn LED will flash to confirm programming.
3. Standard touch sensors program onto channel 1. 2 channel touch sensors can be set to either using the dipswitch. Dipswitch position: ON=CH1, OFF=CH2.

Keyfob transmitter programming:

1. Press and release the learn button, the learn LED will light up for 15 seconds.
2. During this time, press the transmitter button you wish to program. The learn LED will flash to confirm.
3. Repeat for additional buttons and transmitters if required.
4. Buttons A & C program onto channel 1. Buttons B & D program onto channel 2.

Deleting the memory:

To delete the memory press and hold the learn button for approximately 10 seconds until the LED flashes and turns off. All the transmitters have now been removed from the memory.

Dipswitch settings		
	ON	OFF
1	CH1 – Bi-Stable	CH1 – Momentary
2	CH2 – Bi-Stable	CH2 – Momentary

