

FR-U10001DSU

Unmonitored with Door Status Mini Magnet

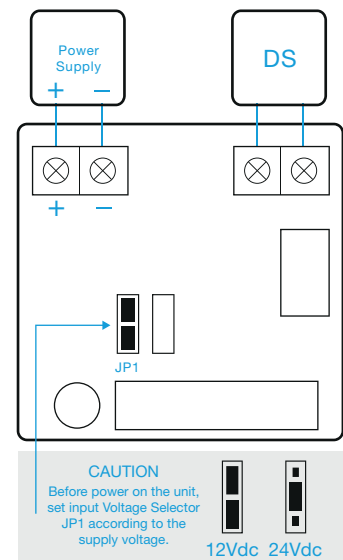
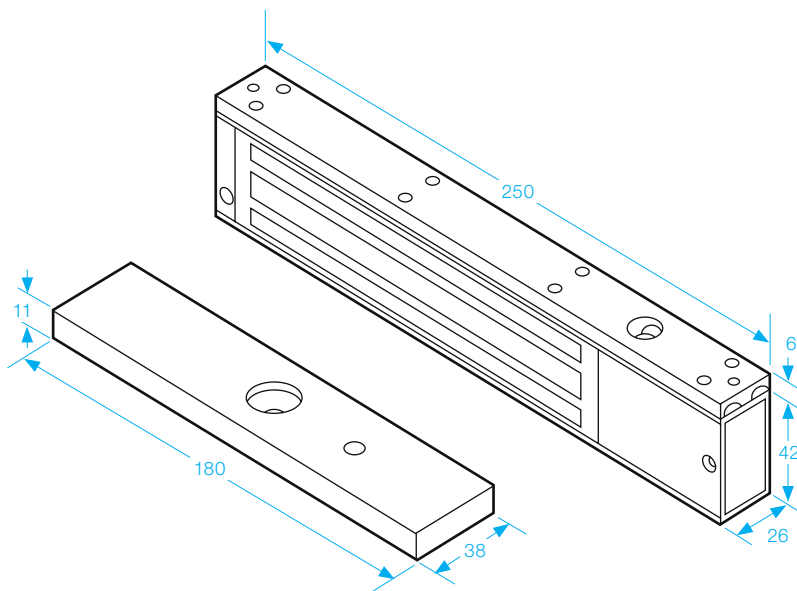


- FD30 + FD60 Rated
- Operating voltage 12~24Vdc (*Selectable*)
- Aluminium housing
- Safety bolts fitted
- Holding force up to 600lbs (272Kg)
- Electro-less nickel plated armature
- Fail-Safe
- 1 Hour UK fire certificate
- Door status: An independent contact that works separately from the magnet to show door status not lock status



BS EN1634:1

OPTIONS



SPECIFICATION

- Voltage tolerance: $\pm 10\%$.
- Current draw: 480mA at 12Vdc, 240mA at 24Vdc (*at temperature 20°C*).
- Operating temperature: $-10\sim 55^{\circ}\text{C}$ (*14 to 131°F*).
- Lock's surface temperature: Current temperature $\pm 20\%$ (*when power is on*).

- Humidity: 0~95% non-condensing.
- Aluminium housing, nickel plated armature.
- Weight: 2.0kg (*approx*).