



# SQUARE Manual Proximity switch for activation and access control



Hard coated, scratch resistant, anti-reflective, anti-microbial Steritouch acrylic label or Marine grade stainless.

Entire label is sensitive, Weatherproof

[www.quantek.co.uk](http://www.quantek.co.uk) 01246 417113

Remove signage plate by removing two screws.

Ascertain fixing height. Use the box to mark the four fixing points.

Use 20mm knockout and place cable through if hardwiring.

Fit seal to back of box if being used externally, and secure box to the wall with 4 x No8 screws.

Make connections (see below, do not leave excessive cable in the back box), or connect battery clip and place battery holder in the marked compartment on the right of the box, then program into the receiver (see next page)

Place signage plate back into the box and insert the two screws.

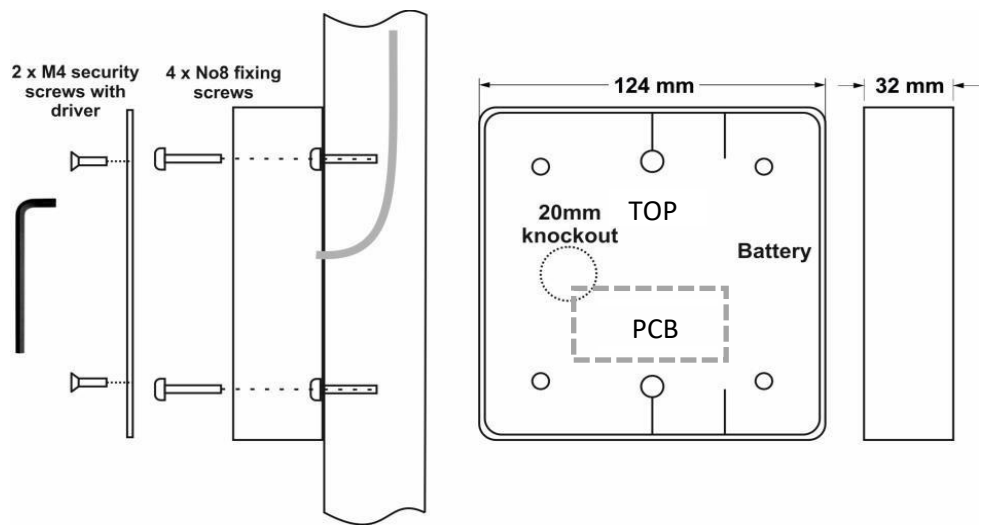
To remove signage plate to change batteries, remove security screws, insert a small screwdriver into the corner and gently lever out.

**Do not over tighten screws!**

**Note: If you have a hardwired, acrylic sensor - Temporarily tape label to box to ascertain correct range, adjust accordingly. De-power, remove the yellow adhesive backing and carefully attach the label**

## Hardwired specification:

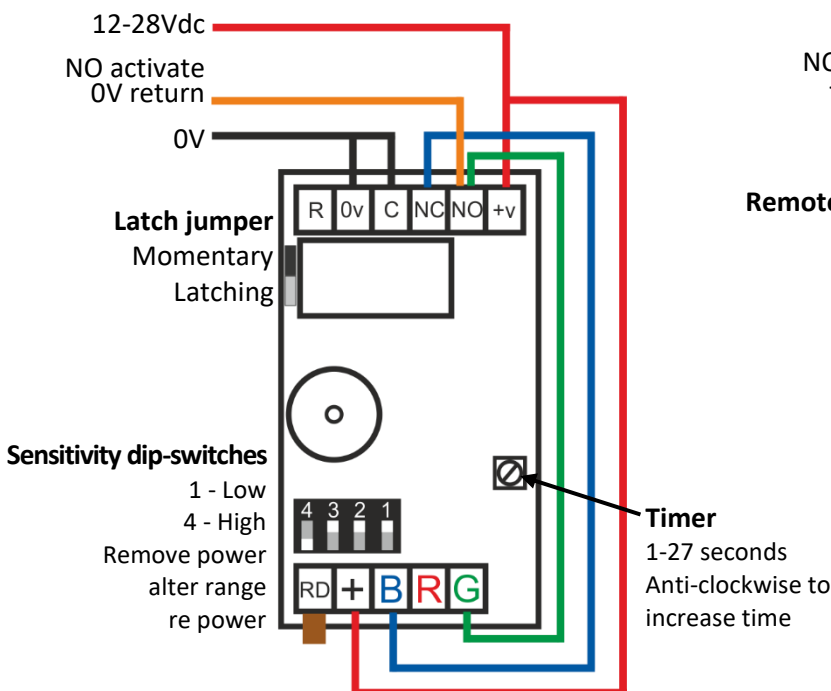
- 12 – 28v dc
- 8mA (standby) / 35mA (max)
- +18mA LEDs
- Sensitivity - Touch to hands free
- Selectable red, green, blue LEDs
- Sounder on activation
- Timer 1 - 27 seconds
- Latching function



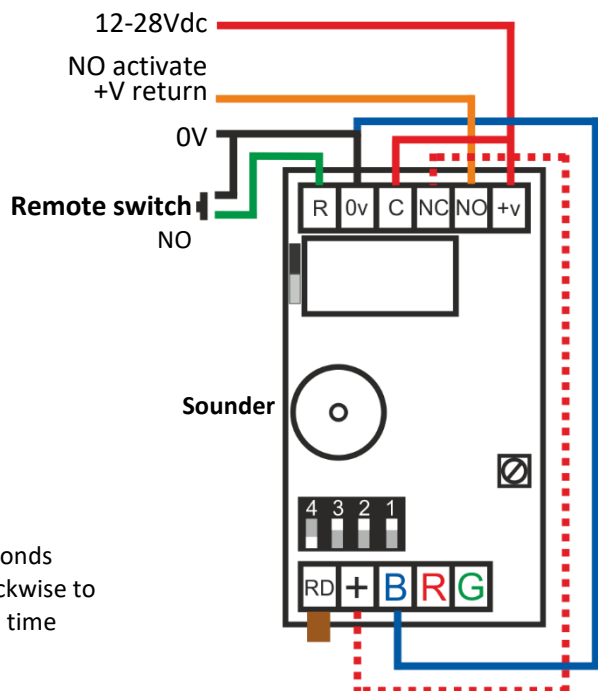
## Wiring diagrams

Hardwired sensor wiring. Alter LED colour configuration as required.

### Normally open contacts. 0v return



### Normally open contacts. +v return



**Note:** Never connect anything to RD terminal

**If using a square illuminated unit, connect LED wires to the terminals marked on the large outer LED panel PCB rather than the touch sensor PCB.**

## Radio programming

Supply receiver with 12/24Vdc, power LED will light if powered correctly

Wire relay outputs to activate terminals on the system (clean, normally open contacts)

Press and release the learn button, the learn LED will light up for 10 seconds

Within the 10 seconds operate the touch sensor

The learn LED will flash to confirm it has programmed

**Note: Standard touch sensors program to channel 1. The RX-T receiver will be required if you need to program them to different channels.**

It is also possible to program our handheld and desk mount transmitters (CFOB, FOB-M, FOB4-M, DDA1, DDA2) into this receiver using the same method. See transmitter box for more details

**Reset:** To reset the receiver, press and hold the learn button for 10 seconds until the learn LED starts flashing. After this the memory will be deleted

### Radio specification

868MHz

4 x AA batteries

Approximately 100,000 operations

Sounder & green LED on activation

Battery saving design, unit will only activate once if hand left on

### Receiver specification

12/24Vdc supply

868MHz

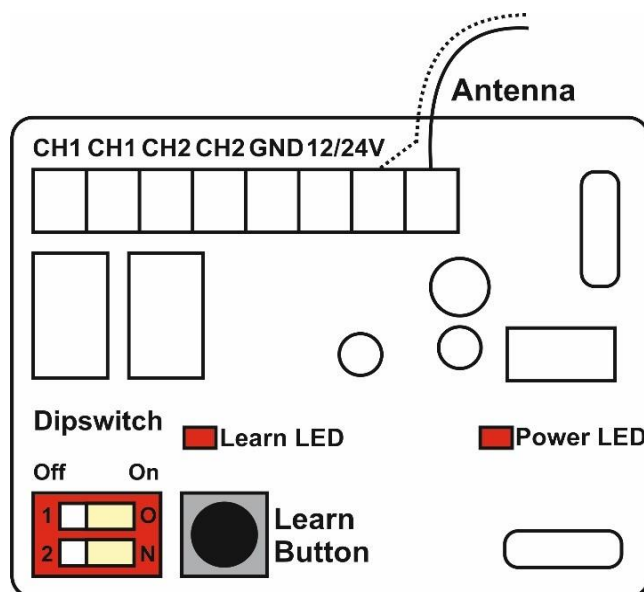
2 channels

1A 24Vdc normally open contacts

Momentary/bi-stable selectable relays

200 code memory

Dimensions: 65 x 50 x 30 mm



Dipswitch settings		
	ON	OFF
1	CH1 - Bi-Stable	CH1 - Momentary
2	CH2 - Bi-Stable	CH2 - Momentary