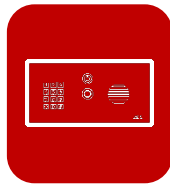


# LBX



Protect your entrance and your mail.



Access Control - gates/door entry, speak to your callers etc



Can be pedestal or wall mounted.



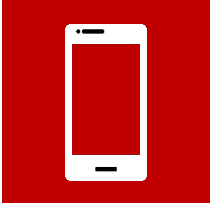
Available in GSM & IP/4G Technologies.

## **The LBX, an all-in-one innovative solution for property exteriors.**

The LBX is designed to provide a simple and modern solution to property access and traditional postal requirements. Pairing a modern design with the functionality of our intercoms, the LBX is a great option to declutter your property's exterior.

**The LBX is available with Prime7 and the IP/4G Praetorian Guard.** Choose which functions/features you need as with any AES Global intercom and have the added functionality of a traditional letter box.





## Advanced GSM Intercom & Letterbox

**Sim inside**

**Auto clock sync.**

**Store up to 4 notification phone numbers to receive an SMS (customizable) when relay is triggered etc**

**Ability to check Do-not-disturb times.**

**Set automatic gate open & close times.**

**Trigger, latch and unlatch SMS replies added. Ability to disable.**

**FOTA – Upgrade firmware via SMS.**

**Issue time restricted codes.**

**High gain antenna as standard! Ability to view APN on signal level reply.**

**2x Relays. Ability to check Automatic Relay Times.**

**NEW AES PRO APP, user friendly. With Installer and homeowner capabilities.**

Technical Details			
<b>Dial Out Numbers</b>	4	<b>Relays</b>	2
<b>Permanent Codes/cards</b>	250	<b>Relay Type</b>	N/C and N/O
<b>Time Restricted Codes/cards</b>	250	<b>Relay Load</b>	2 amps, 24v ac max
<b>Temporary Codes/cards</b>	50	<b>Power Consumption</b>	300mA on dial out, 2amp peak demand
<b>Automatic Trigger Events per Week</b>	50	<b>Modem Models</b>	4G Europe, 4G USA, 4G AUS/NZ
<b>Caller ID Numbers</b>	250	<b>Power Supply</b>	24v dc (24v dc 2A adaptor included)
<b>Time Restricted Caller ID Numbers</b>	250	<b>IP Rating (Intercom only)</b>	IP55

**Area code:**  
**EU** (Europe)  
**US** (USA)  
**AU** (Australia & NZ)

**LBX** CELLCOM  
**PRIME7**  
7th GENERATION



### PRIME7-LBK-EU

#### PRIME7-LB-EU (NON KP)

- Calls your home phone and mobiles on roll-over when visitor presses call button.
- Never miss a visitor with mobile calling.
- Works with any standard contract or Pre-Pay GSM Nano SIM card.
- Ultra-stylish Letterbox with built in access control technology (PRIME7), textured powder coated aluminium hood, gloss black acrylic faceplate & white illuminated keypad & button.



Intercoms with proximity readers available.

### PRIME7-LSK-EU

#### PRIME7-LS-EU (NON KP)

- Calls your home phone and mobiles on roll-over when visitor presses call button.
- Never miss a visitor with mobile calling.
- Works with any standard contract or Pre-Pay GSM Nano SIM card.
- Ultra-stylish Letterbox with built in access control technology (PRIME7) in all brushed BS316 marine grade stainless steel with white illumination keypad & buttons.



**Area code:**  
**EU** (Europe)  
**US** (USA)  
**AU** (Australia & NZ)

**LBX** CELLCOM  
**PRIME7**  
7th GENERATION



## GREY LBX Letterbox

**PRIME7-LAK-EU**

**PRIME7-LA-EU (NON KP)**

- Calls your home phone and mobiles on roll-over when visitor presses call button.
- Never miss a visitor with mobile calling.
- Works with any standard contract or Pre-Pay GSM Nano SIM card.
- Ultra-stylish Letterbox, with built in access control technology (PRIME7), grey textured powder coated aluminium hood, gloss grey acrylic faceplate & white illuminated keypad & button.

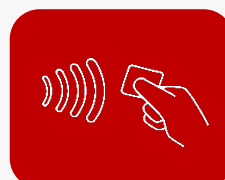


## Flush LBX Letterbox

**PRIME7-LFBK-EU**

**PRIME7-LFB-EU (NON KP)**

- Calls your home phone and mobiles on roll-over when visitor presses call button.
- Never miss a visitor with mobile calling.
- Works with any standard contract or Pre-Pay GSM Nano SIM card.
- Sleek **flush** Letterbox with built in access control technology (PRIME7), textured powder coated aluminium, gloss black acrylic faceplate & white illuminated keypad & button.



Intercoms with proximity readers available.



**HD camera with video motion sensor**



Colour camera with night vision and IR cut filter

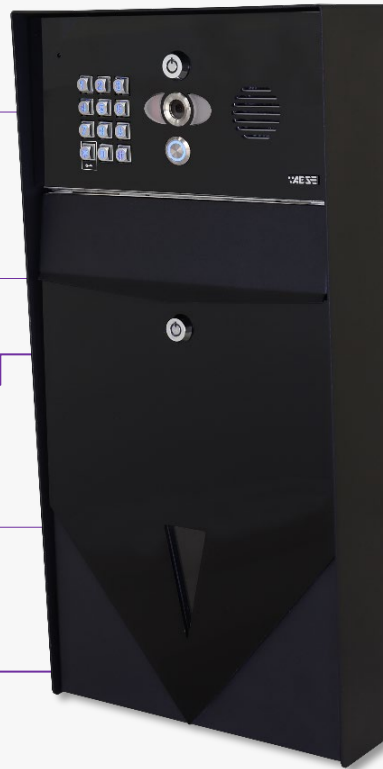
Infra-red night vision illuminators



Waterproof Mylar 1.5W speaker



2x Relays.



### High gain Wi-Fi antenna

60 degree transmission to concentrate & extend range. Weatherproof for outdoor use.



Connect via WiFi, LAN Cable or 4G Access Point.



**PRAETORIAN APP, With Installer and homeowner capabilities.**



**Sim option for 4G access.**

		Technical Details	
<b>Permanent Codes/cards</b>	100	<b>Relay Type</b>	N/C and N/O
<b>Time Restricted Codes/cards</b>	100	<b>Relay Load</b>	2 amps, 24v ac max
<b>Temporary Codes/cards</b>	100	<b>Power Consumption</b>	300mA on dial out, 2amp peak demand
<b>Event log displays</b>	100	<b>Modem Models</b>	4G Europe, 4G USA, 4G AUS/NZ
<b>App unique users</b>	8	<b>Wifi (Range 2.4 &amp; 5.8ghz)</b>	IEEE 802.11 a/b/g/n/ac
<b>Relays</b>	2	<b>Power Supply</b>	24v dc (24v dc 2A adaptor included)
		<b>IP Rating (intercom only)</b>	IP55

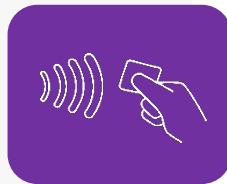
**Area code:**  
EU (Europe)  
US (USA)  
AU (Australia & NZ)



### PRAE-IP-LBK-EU

### PRAE-IP-LB-EU (NON KP)

- **Speak to your visitors from anywhere in the world.**
- **Grant access remotely - Send a command to the gate motor via the app to open your gates etc.**
- Ultra-stylish Letterbox with built in video access control technology (PRAETORIAN), textured powder coated aluminium hood, gloss black acrylic faceplate & blue illuminated keypad & button.



Intercoms with proximity readers available.



### PRAE-IP-LSK-EU

### PRAE-IP-LS-EU (NON KP)

- **Speak to your visitors from anywhere in the world.**
- **Grant access remotely - Send a command to the gate motor via the app to open your gates etc.**
- Ultra-stylish Letterbox with built in video access control technology (PRAETORIAN) in all brushed BS316 marine grade stainless steel with white illumination keypad & buttons.



**Area code:**  
EU (Europe)  
US (USA)  
AU (Australia & NZ)

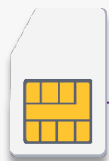


**Praetorian Guard IP Intercom complete with 4G access point. The access point will provide an internet connection via a compatible SIM card.**

### **PRAE-4G-LBK-EU**

#### **PRAE-4G-LB-EU (NON KP)**

- **Speak to your visitors from anywhere in the world.**
- **Grant access remotely - Send a command to the gate motor via the app to open your gates etc.**
- Ultra-stylish Letterbox with built in video access control technology (PRAETORIAN), textured powder coated aluminium hood, gloss black acrylic faceplate & blue illuminated keypad & button.



Sim inside Intercom



### **PRAE-4G-LSK-EU**

#### **PRAE-4G-LS-EU (NON KP)**

- **Speak to your visitors from anywhere in the world.**
- **Grant access remotely - Send a command to the gate motor via the app to open your gates etc.**
- Ultra-stylish Letterbox with built in video access control technology (PRAEOTIAN) in all brushed BS316 marine grade stainless steel with white illumination keypad & buttons.



**Area code:**  
EU (Europe)  
US (USA)  
AU (Australia & NZ)

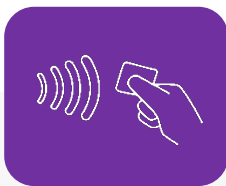
# LBX



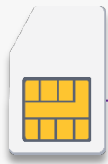
## PRAE-IP-LFBK-EU

### PRAE-IP-LFB-EU (NON KP)

- Speak to your visitors from anywhere in the world.
- Grant access remotely - Send a command to the gate motor via the app to open your gates etc.
- Sleek **flush** Letterbox with built in video access control technology (PRAETORIAN), textured powder coated aluminium hood, gloss black acrylic faceplate & blue illuminated keypad & button.



Intercoms with proximity readers available.



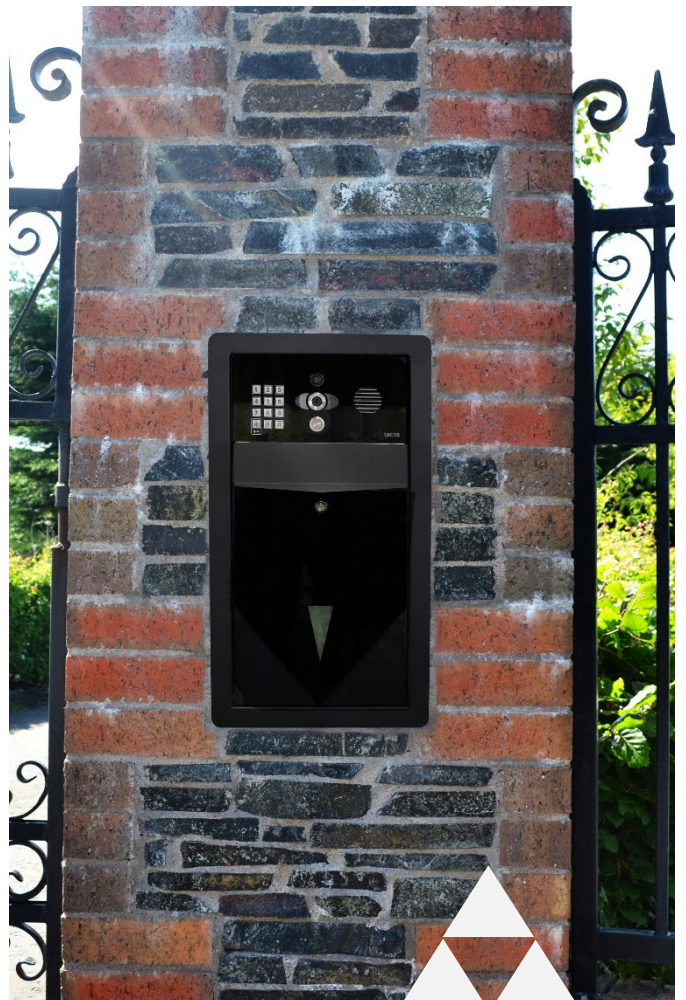
Sim inside Intercom



## PRAE-4G-LFSK-EU

### PRAE-4G-LFS-EU (NON KP)

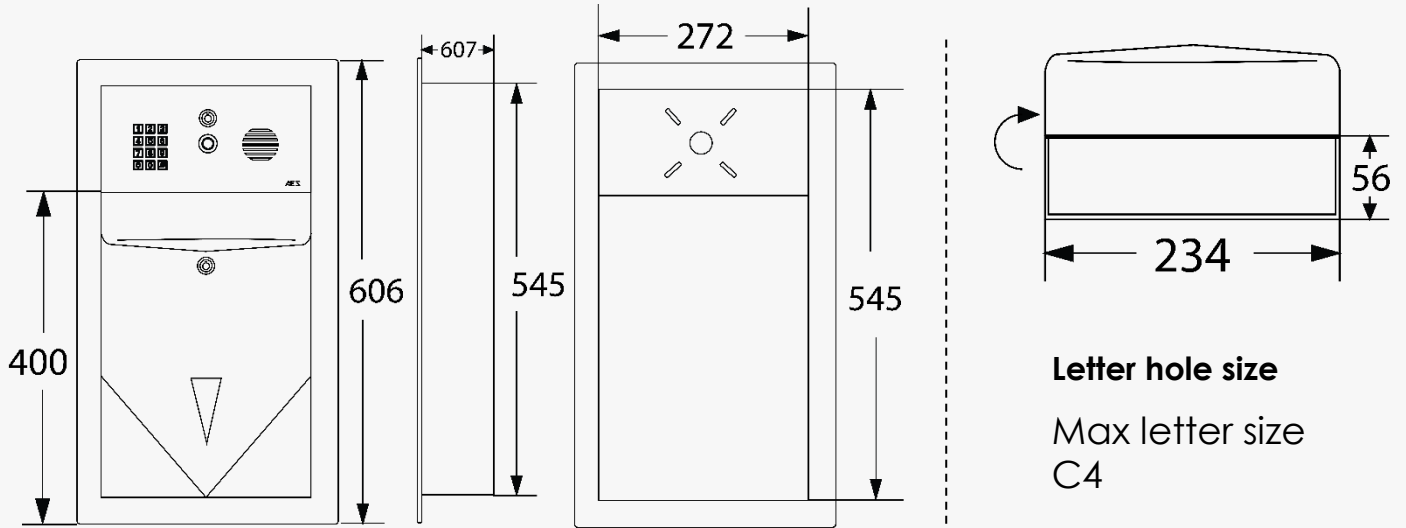
- Speak to your visitors from anywhere in the world.
- Grant access remotely - Send a command to the gate motor via the app to open your gates etc.
- Sleek **flush** Letterbox with built in video access control technology (PRAEOTIAN) in all brushed BS316 marine grade stainless steel with white illumination keypad & buttons.





# LBX Letterbox Dimensions

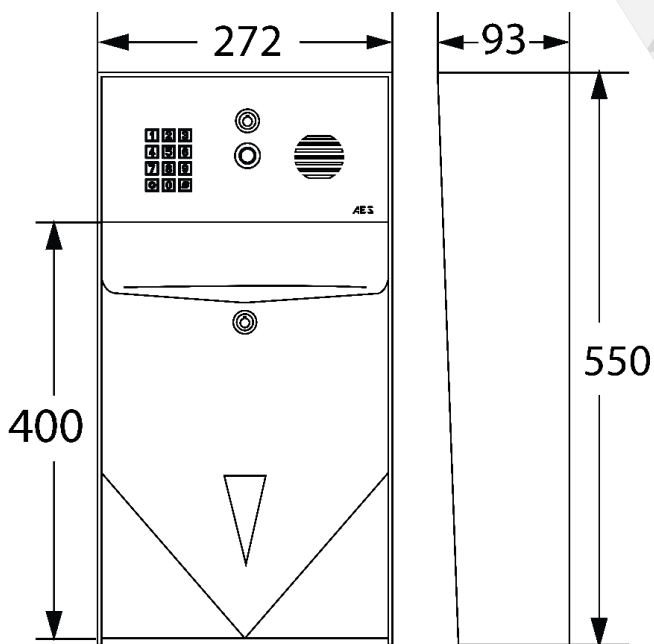
## LBX FLUSH PANEL



**Letter hole size**

Max letter size  
C4

## LBX PANEL



[www.aesglobalonline.com](http://www.aesglobalonline.com)

**AES**  
GLOBAL

✉ [sales@aesglobalonline.com](mailto:sales@aesglobalonline.com)

☎ +44 (0) 288 639 0693