

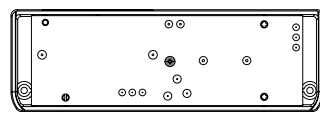
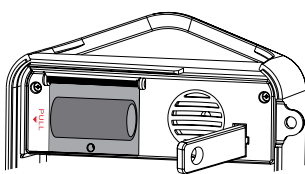
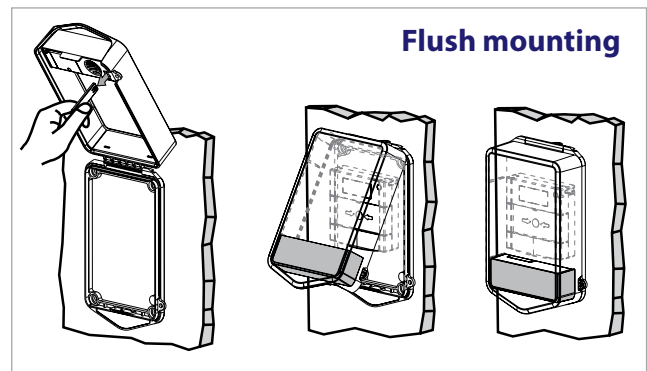
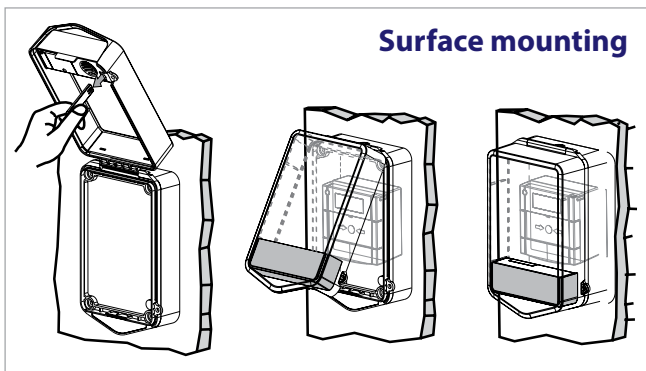
# SP-2

## Call Point Protector

- Polycarbonate construction
- Surface mount
- Can retro fit over existing device
- Red and green covers supplied
- Built-in 96db sounder
- Supplied with Break Seal

### Specification

- Protective cover helps prevent malicious or accidental false fire alarms
- Break seal option for added security
- Available with or without a 96dB integral sounder powered by a 3V lithium battery



Standby current: 15 $\mu$ A

#### Volume

Low: 87dB@1m, 8mA  
High: 94dB@1m, 20mA

#### Battery

Primary Lithium Battery  
3v, 1500mAH

