



C Prox Ltd (inc Quantek)

Unit 11 Callywhite Business Park, Callywhite Lane, Dronfield, S18 2XP

+44(0)1246 417113 sales@cproxltd.com www.quantek.co.uk

DGWCRADAR

Instruction Manual

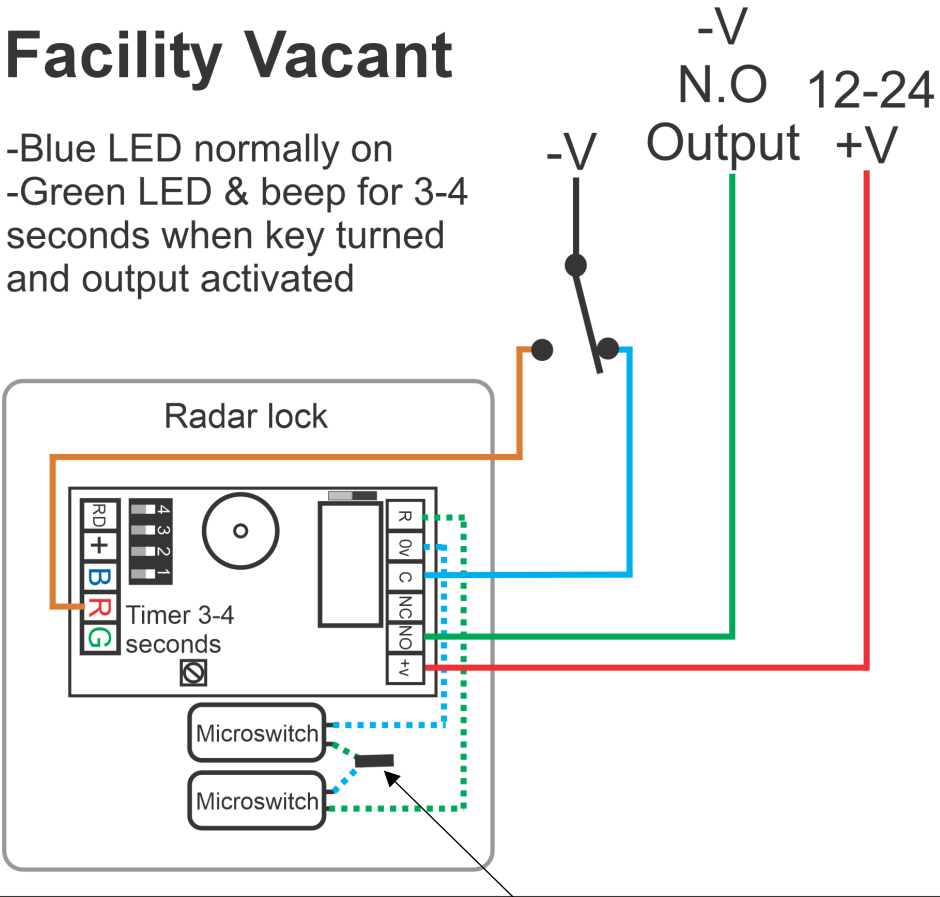


- Weather-resistant and heavy-duty construction for lasting reliability.
- Smooth, quarter turn operation – easier to use than mechanical locks.
- Double gang powder coated aluminium plates.
- Flush fit to a UK double gang back box.
- Dual waterproof microswitches wired in series for enhanced security.
- Accepts all official RADAR keys with no risk of jamming.
- Clear LED indicators – green for activation, red and blue for engaged/vacant.
- Designed to aid colour blind users with dual colour LED status.
- For use with our toilet control board, which controls the lock and automatic door operator.

General Wiring:

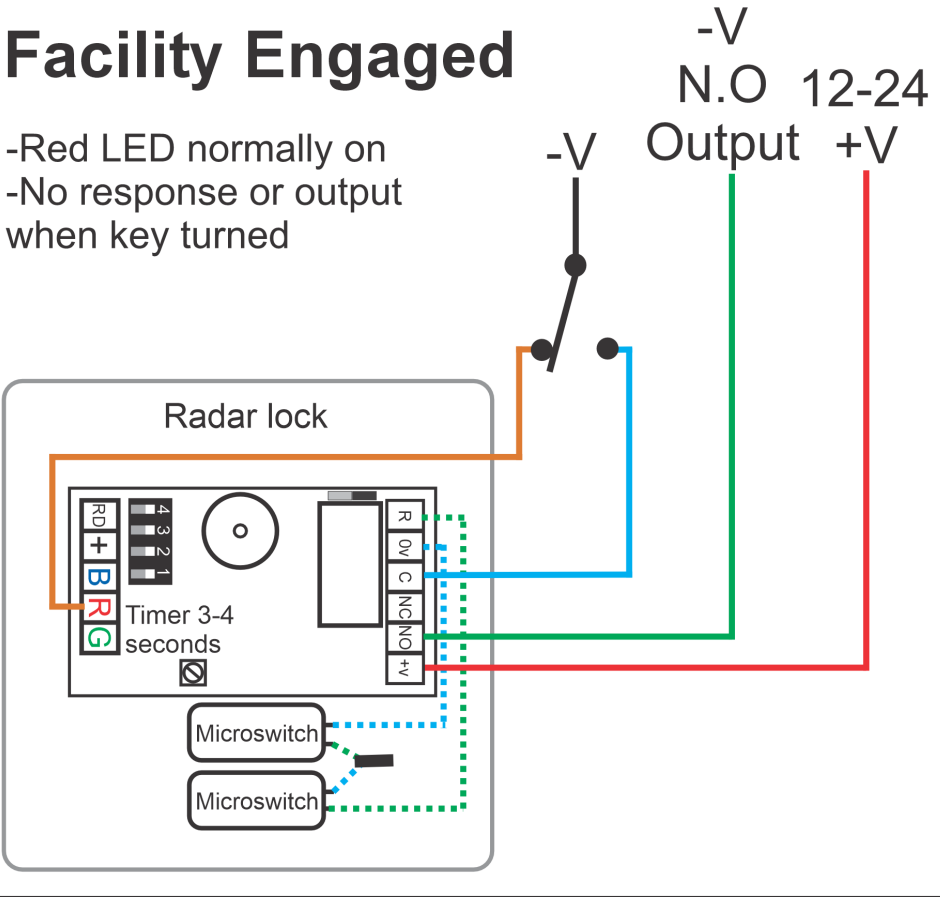
Facility Vacant

- Blue LED normally on
- Green LED & beep for 3-4 seconds when key turned and output activated



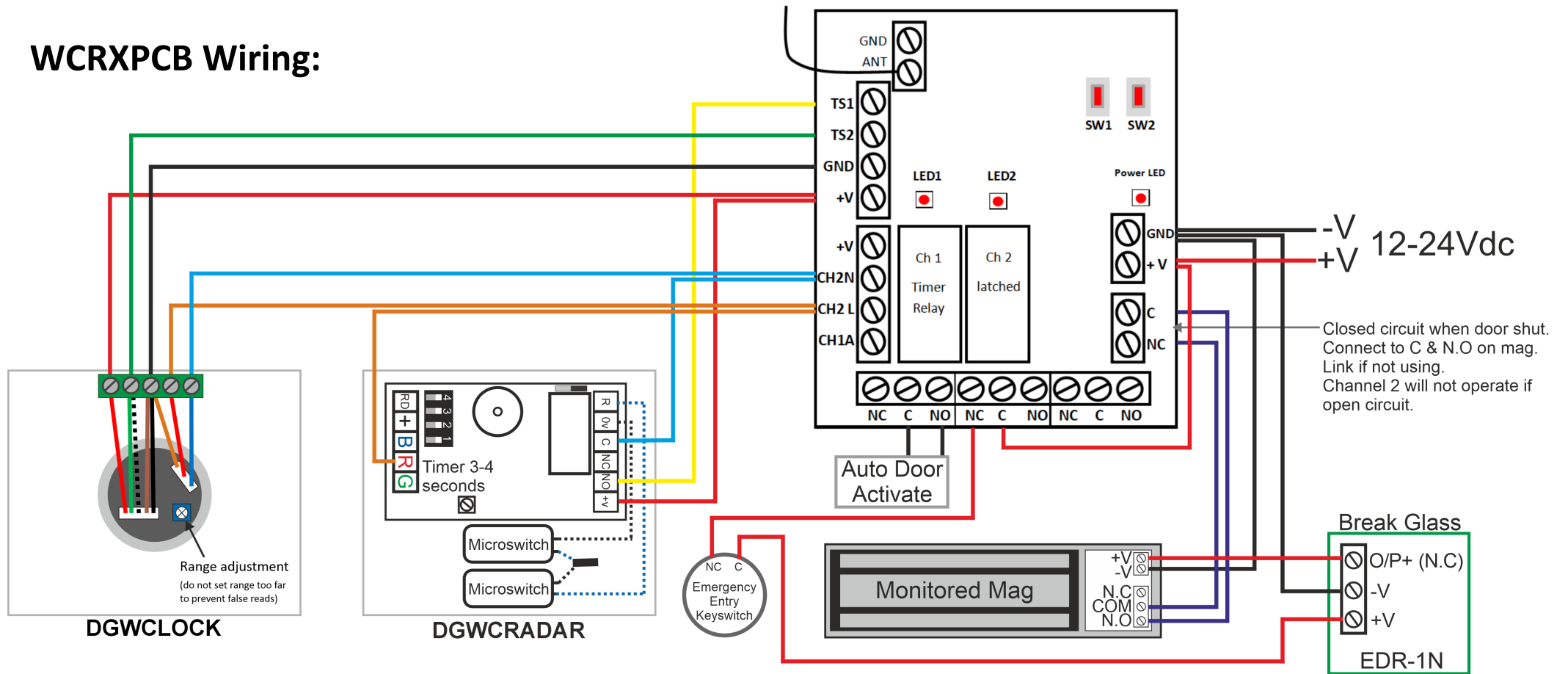
Facility Engaged

- Red LED normally on
- No response or output when key turned



2 x Microswitches C & N.O wired in series for increased security.
 If a microswitch fails, make a temporary repair by connecting the one working microswitch. Break joint and wire individually.

WCRXPCB Wiring:



1. Entry - Door is normally locked. If vacant, as signified by blue LEDs, the user can insert and turn their radar key. The door will unlock & open.
2. Locking – When inside and **the door is shut**, the user waves their hand in front of Wave to Lock/Wave to Open switch. The LEDs turn red and the radar keyswitch is disabled.
3. Exit – When finished, the user waves their hand in front of the Wave to Lock/Wave to Open switch again, the door will unlock and open.

Emergency entry/exit - A breakglass (with light & sounder) must be installed inside for emergency exit, and a keyswitch must be installed outside for emergency exit.