

HARDWIRED

- 12 - 28Vdc
- Up to 70mm activation range
- 4 position sensitivity adjustment (Touch to hands free)
- Adjustable timed clean relay output
- Sounder on activation
- Selectable red, green & blue LED's
- Scratch resistant anti microbial acrylic label
- Entire label is sensitive
- Reinforced nylon housing
- IP65 rated



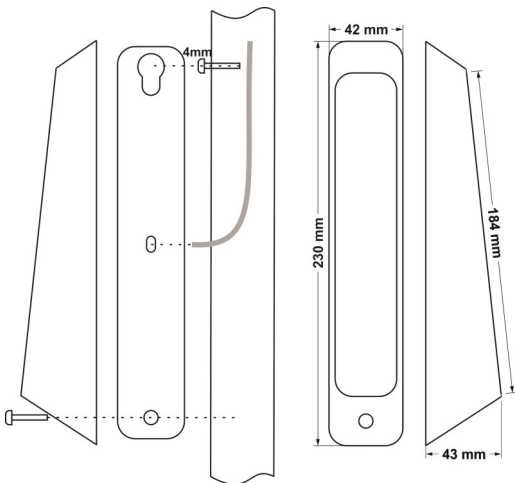
[AHAND](#) [AHAND-NT](#) [AOPEN](#) [AOPEN-NL](#) [ASOPEN](#) [ASOPEN-NL](#) [AFSOPEN](#) [AFSOPEN-NL](#) [ASREL](#) [ASSEC](#)

WIRELESS

- 868MHz
- 4 x AA alkaline batteries (supplied)
- Approximately 100,000 operations
- Green LED & bleep on activation
- Scratch resistant anti microbial acrylic label
- Battery saving design, unit will only transmit once if hand left on
- 72 x 30mm activation area
- Approximately 15-20mm activation range (Touch free)
- Reinforced nylon housing
- Max 50m distance between the sensor and receiver
- IP65 rated



[ATXHAND](#) [ATXHAND-NT](#) [ATXOPEN](#) [ATXOPEN-NL](#) [ASTXOPEN-NL](#) [AFSTXOPEN](#) [AFSTXOPEN-NL](#) BESPOKE OPTIONS AVAILABLE



Our architrave switches have been specifically designed architrave frames, stainless steel posts and barriers. They offer protection against a range of bacteria including E. coli, MRSA, Salmonella and Legionella, as well as black mould growth, biofilm and fungi. Our acrylic signage is protected by SteriTouch® which means 99.9% of germs will not grow on them. We can now replicate metals including stainless steel. Using our in house printer we are able to print faux stainless, making them more hygienic than the traditional stainless steel push pads due to them being protected by SteriTouch®. We can also design bespoke labels, which can include company names and logos.



Comes with adaptor fittings. Bespoke colours available.



ARCHITRAVE SENSORS