



C Prox Ltd (Inc Quantek)

11 Callywhite Business Park, Callywhite Lane, Dronfield S18 2XP
+44(0)1246 417113 sales@cproxltd.com www.quantek.co.uk

Multi option Disabled Toilet Locking System Instruction Manual Radio or Hardwired Voice Instruction

Please read the manual carefully before installing the system

Contents

Description	2
Specification	2
Touch switch/indicator installation	3
Programming radio touch switches and remotes	4
Schematics	4
Wiring diagrams	
Mag Lock. Normally Unlocked.	5
Mag Lock. Normally Locked. Secure Doors.	5
Sliding Door. Integrated Lock.	6
Radio Touch Switches with LED Indicators	6
Hardwired Touch Switches	7
MP3-SPK Message Announcer	7
Troubleshooting	8

Description

The system can be operated by radio or hardwired touch switches, or a combination of both, enabling installations where cable containment is a problem.

Radio radar keyswitches, access control systems & fobs can be easily incorporated.

When using radio switches, separate LED status indicators are fitted above the door where cables routes are required for the lock and automatic door opener. Separate LED indicators are not required when using hardwired switches as they are integral.

NOTE: Our MP3 device is incorporated when using radio switches to give immediate reassurance that the door is locked and instructions on how to use the system. Also available for hardwired.

All touch switches incorporate antibacterial additive, helping to prevent the spread of germs.

The system features a break glass for emergency exit, and a keyswitch for emergency entry, which is built into the external touch switch or LED indicator.

The door must be closed before it can be locked, therefore inhibiting pranksters and accidental locking. This is achieved with a normally closed-door status reed switch or monitoring in the mag lock.

Specification

- Control board input: 12-24Vdc
- Control board dimensions: 60 x 75 x 20mm.
- Automatic delay on lock/open sensor to prevent accidental locking.
- Radio touch switches take 4xAA batteries (SG 4xAAA) and we recommend changing annually.

Touch switch/indicator installation

Architrave & Round

1. Use the back plate to mark the screw fixing points.
2. Fix top retaining screw (No 8 or 10) leave 4 mm of screw shaft protruding.
3. Fit the back seal to rear of plate (if being used externally).
4. Radio switch:
 - a. Insert the batteries.
 - b. Connect the battery lead.
 - c. Program the touch switch to the control board (see next page).
5. Hardwired switch/indicator
 - a. Wire as per appropriate wiring diagram.
6. Fit back plate to unit.
7. Hook unit onto top screw & insert bottom retaining screw.

Single gang

Internal quality only

Fits any UK metal or plastic back-box. Surface or flush.

(If using a metal back box, the vertical lugs may require removal).

1. Use the back box to mark the four fixing points.
2. Attach the back box to wall.
3. Radio switch:
 - a. Insert the batteries.
 - b. Connect the battery lead.
 - c. Program the touch switch to the control board (see next page).
 - d. Stick the battery holder to the inside of the back box.
4. Hardwired switch/indicator:
 - a. Wire as per appropriate wiring diagram.
5. Attach the front plate to back box using the two M3.5 screws supplied.

Square

1. Remove the front plate from back box.
2. Use back box to mark the four fixing points.
3. Attach box to wall.
4. Radio switch:
 - a. Connect battery lead.
 - b. Program the touch switch to the control board (see next page).
 - c. Place the battery holder into its marked compartment.
5. Hardwired switch/indicator
 - a. Wire as per appropriate wiring diagram. The LEDs wire to the outer PCB.
6. Attach the front plate to back box using the two M4 security screws supplied.

Programming Radio Touch Switches and Remote Controls

Entry switch: Ensure LED1 & LED2 are both off. Press SW1 for 2 seconds, then release. Operate entry switch or remote, LED1 will flash to confirm successful programming.

Lock/Open switch: Ensure LED1 & LED2 are both off, and that the door is shut or the link is fitted. Press SW2 for 2 seconds, then release. Operate lock/open switch or remote, LED2 will flash to confirm successful programming.

Delete switches: Press & hold either SW1 or SW2 for approximately 10 seconds, until LED1 & LED2 are lit. Both channels are deleted.

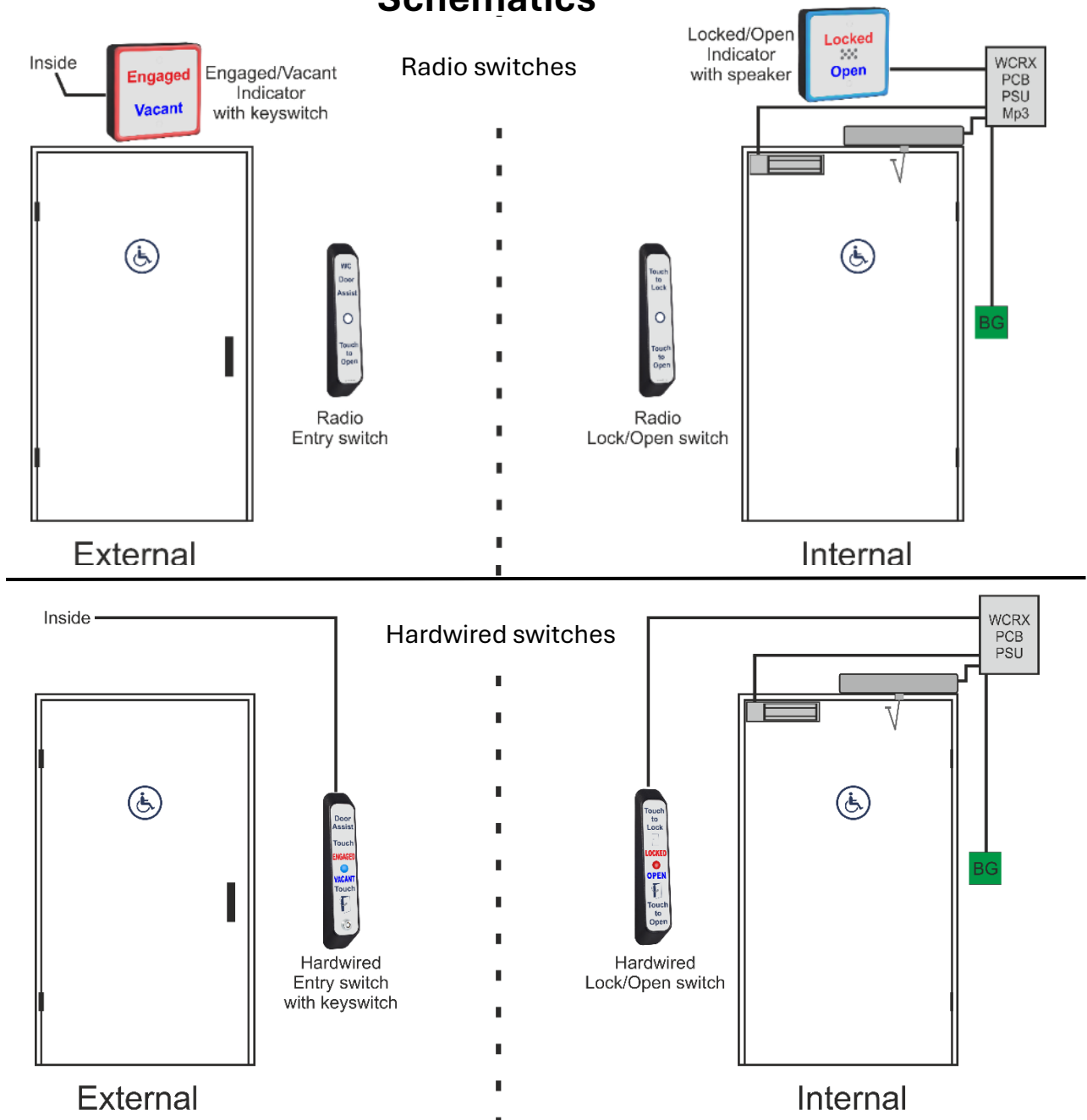
To program Channel 1 relay time: (preset to approx. 2 seconds)

(Only required when using manual door lock)

Operate channel 1 with a programmed touch switch or remote, immediately press SW1 until LED1 flashes twice, then release.

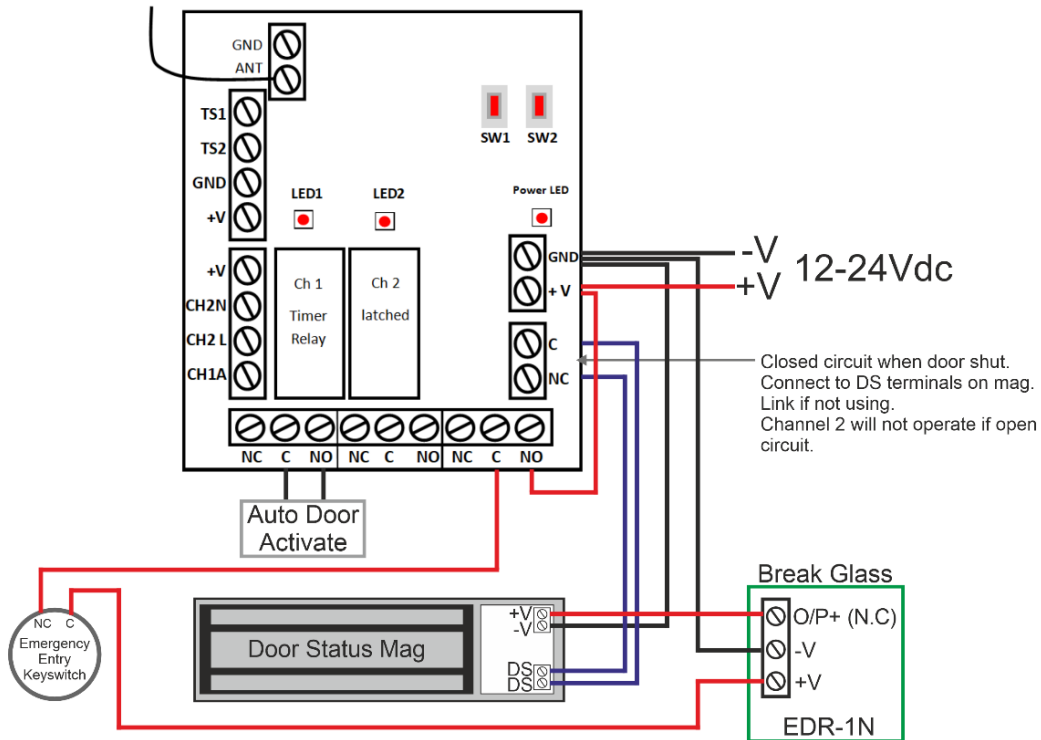
Each subsequent flash adds 2 seconds to timer. Press SW1 once when required time is achieved.

Schematics



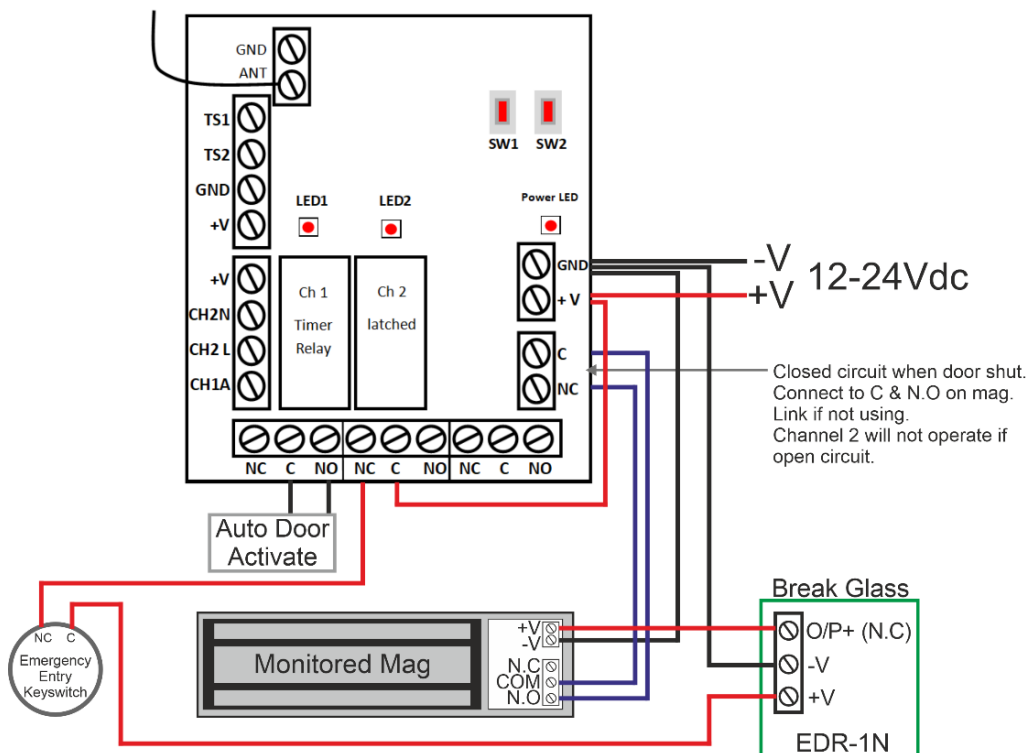
Mag Lock. Normally Unlocked.

- If the facility is vacant (blue LEDs) the user can pull/push the door manually or touch the external switch for assisted entry.
- When inside **and the door is shut** (a **door status** mag lock should be installed), the user touches the internal switch. The door will lock, the external switch will be disabled, and the LEDs will turn red.
- To exit, the user touches the internal switch again. The door will unlock and open, and the LEDs will revert to blue.
- The emergency entry key switch is built into the external engaged/vacant indicator or door assist touch switch.
- See page 6 for LED indicator wiring (radio touch switches) or page 7 for hardwired touch switch wiring.



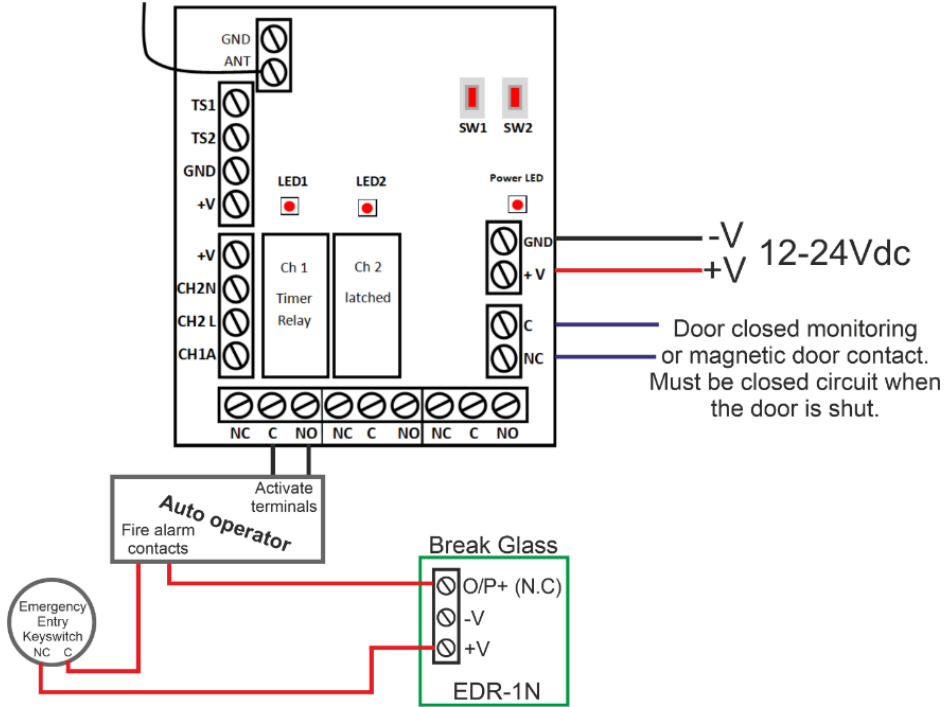
Mag Lock. Normally Locked. Secure Doors.

- This configuration is used for secure doors, such as those with a radar keyswitch or access control.
- If the facility is vacant (blue LEDs) the user operates the access device, and the door will unlock and open.
- When inside **and the door is shut** (a **monitored** mag lock should be installed) the user touches the internal switch. The door will lock, the access device will be disabled, and the LEDs will turn red.
- To exit, the user touches the internal switch again. The door will unlock and open, and the LEDs will revert to blue.
- The emergency entry keyswitch is built into the external engaged/vacant indicator.
- See page 6 for LED indicator wiring (radio touch switches) or page 7 for hardwired touch switch wiring.



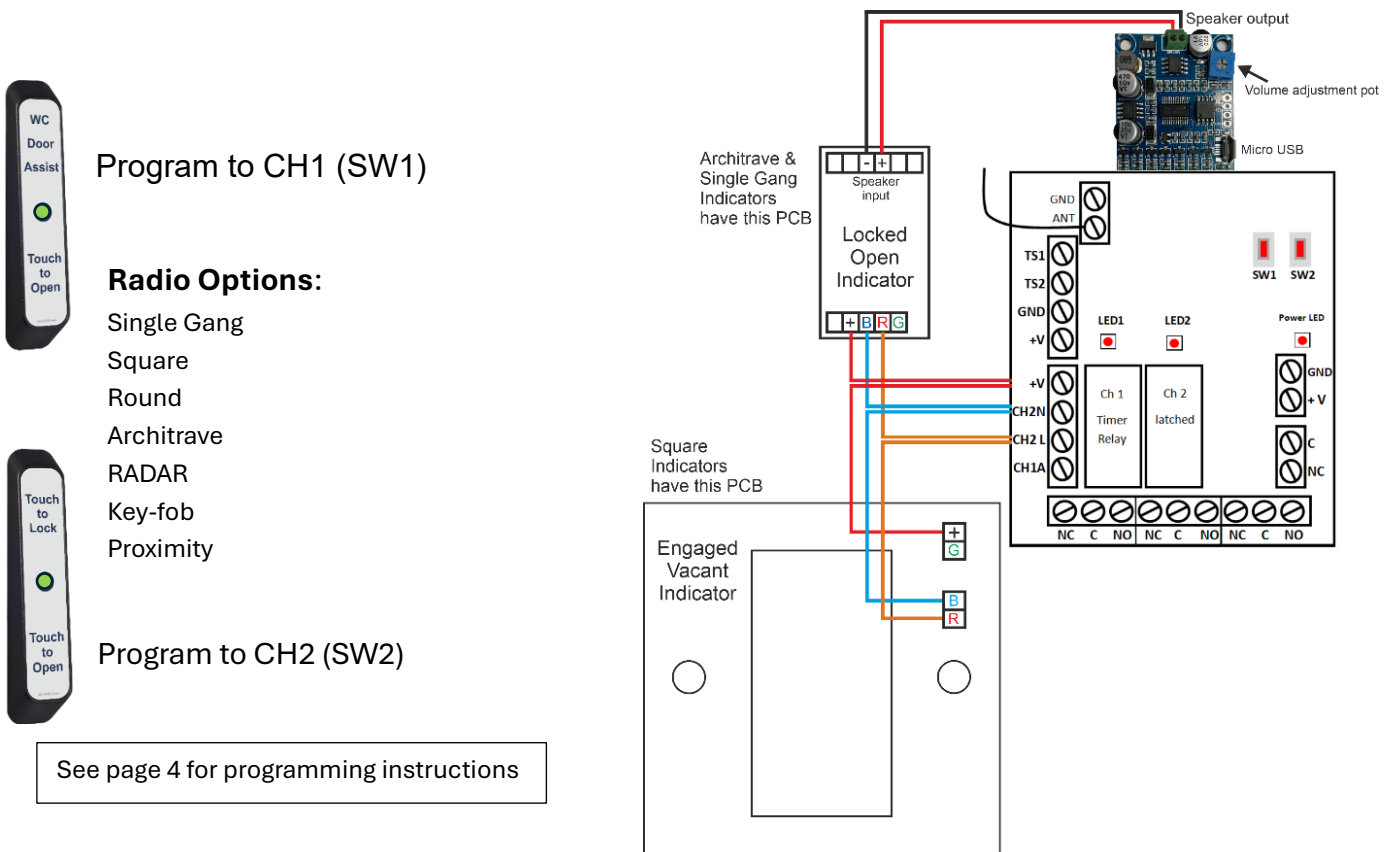
Sliding Door. Integrated Lock.

- Door is normally locked. If the facility is vacant (blue LEDs) the user touches the external switch and the door will open.
- If the slider has 'Door closed' clean contact monitoring, connect it to door contact terminals. If not, connect a standard magnetic door contact (not supplied). When inside and the **door is shut**, the user touches the internal switch, the door will lock, the external switch will be disabled, and the LEDs will turn red.
- To exit, the user touches the internal switch again. The door unlocks and opens, and the LEDs revert to blue.
- 0V at break glass optional. **Operator should have integral lock.**
- The emergency entry keyswitch is built into the engaged/vacant indicator or door assist touch switch.
- See page 6 for LED indicator wiring (radio touch switches) or 7 for hardwired touch switch wiring.



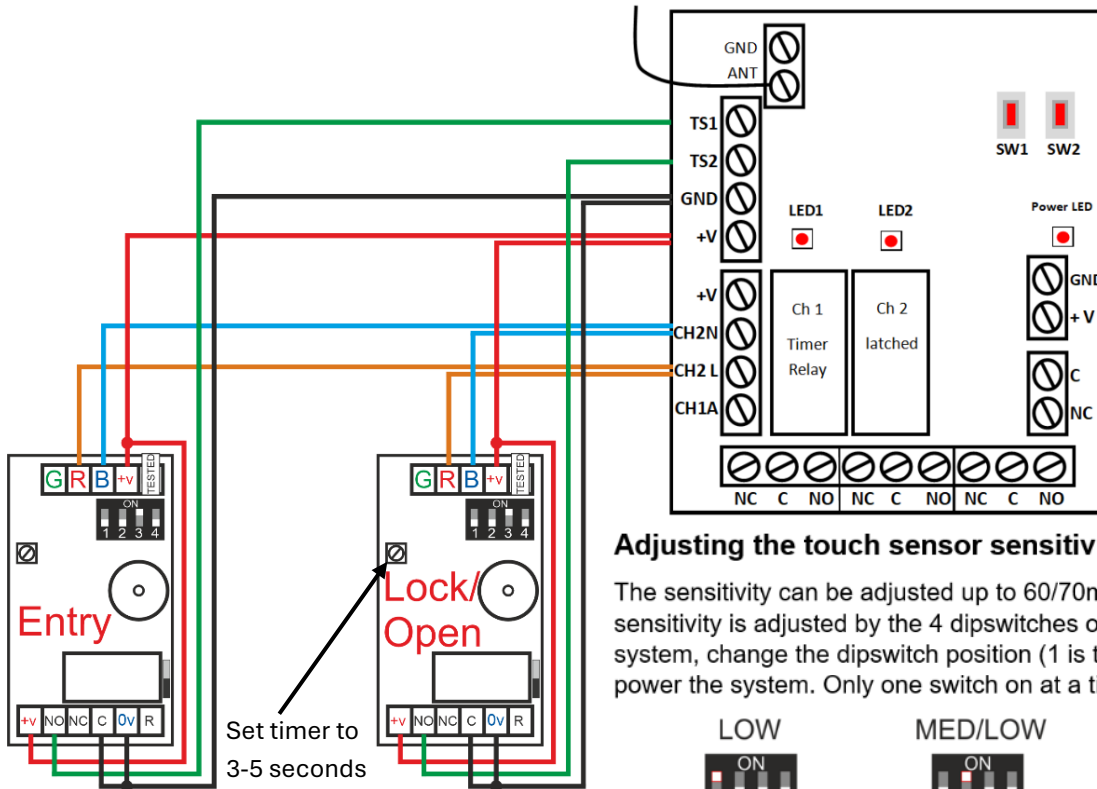
Radio Touch Switches with LED Indicators

- LED indicators are installed above the door, unless cable routes are available.
- Radio Touch Switches can be installed anywhere and don't require any wiring.
- Wire the lock, break glass, keyswitch & auto door to suit the desired configuration (see previous pages).



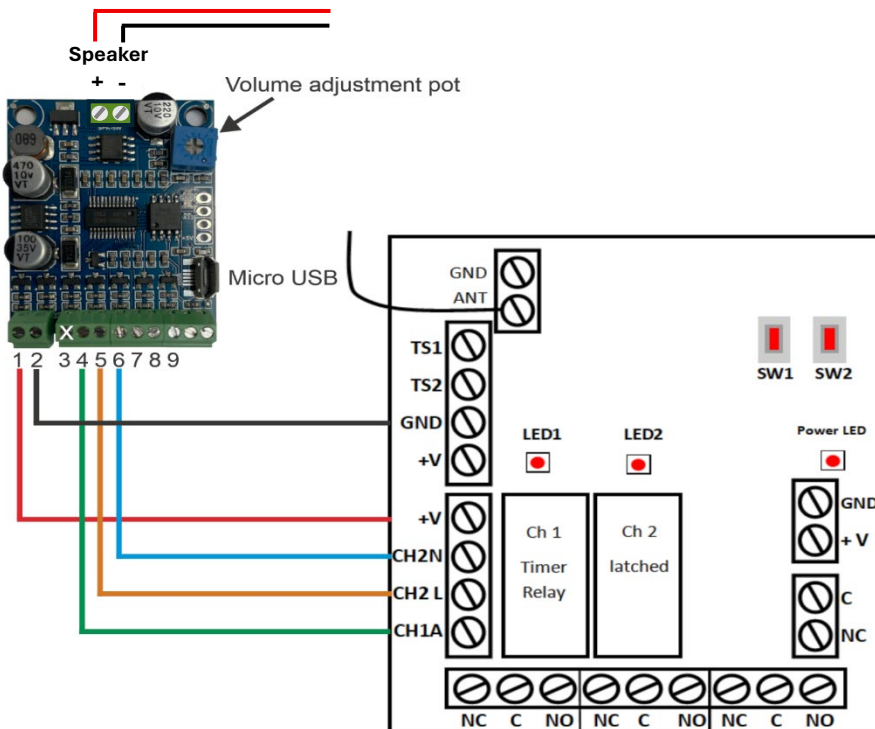
Hardwired Touch Switches.

- Hardwired switches can be used as an alternative to radio switches.
- If a hardwired switch is used, the LED indicator above the door is not required as hardwired switches have an indicator built in.
- On square sensors, the LEDs connect on the outer circuit board.
- Wire the lock, break glass, keyswitch & auto door to suit the desired configuration (see previous pages).



MP3-SPK Message Announcer.

- Wire the touch switches/indicators, lock, break glass, keyswitch & auto door to suit the desired configuration (see previous pages).
- On radio systems the MP3 PCB is pre-wired to WCRXPCB, wire the speaker output of the MP3 PCB to the speaker input of the locked/open indicator/sensor.



Default messages:

Activate the external switch –
“Caution door opening ... caution door opening ... when the door is shut, please touch the sensor to lock the door”
 (repeated up to 3 times at 10 second intervals)” stops when locked.

Activate Internal switch to Lock –
“Door locked ... when finished please touch the same sensor again to open the door (repeated up to 5 times at 10-minute intervals)”

Activate Internal switch to Open –
“Door opening, please exit”

Volume can be increased by turning the pot clockwise.

Custom messages can be uploaded via the Micro USB.

Troubleshooting

Issue	Solution
Internal touch switch beeps when touched but doesn't lock the system.	<ul style="list-style-type: none"> • Link out the door contact terminals on the control board. • If this works, check mag lock reed switch/monitoring wiring and armature plate alignment. • The lock must give a normally closed signal when the door is shut.
Hardwired touch switch doesn't beep when touched.	<p>After each step below, de-power the system for 10 seconds and power it back up.</p> <ul style="list-style-type: none"> • Screw the sensor to the wall properly, don't have it dangling or in your hand. • Ensure the jumper next to the touch sensor relay is on and is making properly. • Use a multimeter to check you've got voltage at the touch sensor. • Make sure 0V is in the correct terminal, not the REM terminal. • Take off the wall and connect power only directly to the power supply to rule out any cable issues.
The system keeps locking with no one inside.	<ul style="list-style-type: none"> • Ensure the mag lock contacts are wired into the door switch terminals on control board. • Turn down the sensitivity on the internal touch switch (if hardwired), especially if there is emergency lighting or hand dryers nearby. • Make sure there isn't excess cable in the touch switch back box (if hardwired). • Re-terminate internal touch switch connections (if hardwired).
System goes RED but mag lock does not engage.	<ul style="list-style-type: none"> • Check the position of the override keyswitch and break glass. • Use a multimeter to check if you've got voltage at the mag lock. If you do, the lock is faulty.
Automatic door doesn't operate when it should.	<ul style="list-style-type: none"> • Take the two wires to your automatic door operator out of the C and NO terminals on the control board and join them together. If the door still doesn't open this confirms the problem lies with the operator. Please contact the supplier/manufacturer.